

Reservdelskatalog  
Spare Parts List  
Ersatzteilverzeichnis

**Carrier**  
**CR 1025-1225**

No.



---

---

**1 Antal slitdelar/maskin**  
**Number of wear plates/machine**  
**Anzahl Verschleißteil/Machine**

Fig. / Abb.

**2 Förklaringar av koder**  
**Explanations of codes**  
**Erklärung kodes**

Fig. / Abb.

**3 Reservdelsförteckning**  
**Spare Parts List**  
**Ersatzteilverzeichnis**

Fig. / Abb.

|    |   |    |
|----|---|----|
| 1  | Drag, Drawbar, Deichsel .....   | 9  |
| 2  | Ram, Frame, Rahmen.....   | 11 |
| 3  | Avskrapare, Scraper, Abstreifer .....   | 13 |
| 4  | Avskrapare, Scraper, Abstreifer .....   | 15 |
| 5  | Vältpaket, Roller ring unit, Walzenpaket.....   | 17 |
| 6  | Vältpaket, Roller ring unit, Walzenpaket.....   | 19 |
| 7  | Hydraulik, Hydraulics, Hydraulik .....  | 21 |
| 8  | Hjul, för luftbromsar, Wheel, for pneumatic brakes, Rad, für Luftbremsen .....                | 23 |
| 9  | Hjul, för hydraulisk bromsar, Wheel, for hydraulic brakes, Rad, für Hydraulische Bremsen..... | 25 |
| 10 | Djupstopp, Depth stop, Tiefenhaltung.....   | 27 |
| 11 | Belysning, främre, Lighting, front, Beleuchtung, vordere .....                                | 29 |
| 12 | Belysning, bakre, Lighting, rear, Beleuchtung, hinten .....                                   | 31 |
| 13 | Belysning, bakre, Lighting, rear, Beleuchtung, hinten .....                                   | 33 |
| 14 | Dekaler, Decals, Aufklaber .....  | 35 |
| 15 | System Disc, System Disc, System Disc.....  | 37 |
| 16 | System Disc, System Disc, System Disc.....  | 39 |
| 17 | Halmharv, Straw harrow, Strohstriegel .....   | 41 |
| 18 | Luftbromsar, Pneumatic brakes, Luftbremsen .....  | 43 |
| 18 | Luftbromsar, Pneumatic brakes, Luftbremsen .....  | 45 |
| 19 | Hydraliska bromsar, Hydraulic brakes, Hydraulische Bremsen.....                               | 47 |

---

---

# 1 Antal slitdelar/maskin

## Number of wear plates/machine

### Anzahl Verschleißteil/Machine

|                              |        | 1025 | 1225 |
|------------------------------|--------|------|------|
| Antal vältringar, stål       | 442340 | 40   | 40   |
| Roller ring, quantity, steel | 428308 | 38   | 54   |
| Anzahl Walzenringe, stahl    | 441937 | 4    | 4    |
| Antal tallrikar, System Disc | 444687 | 80   | 96   |
| No. of discs, System Disc    |        |      |      |
| Anzahl Scheiben, System Disc |        |      |      |

## 2 Förklaringar av koder Explanations of codes Erklärung kodes

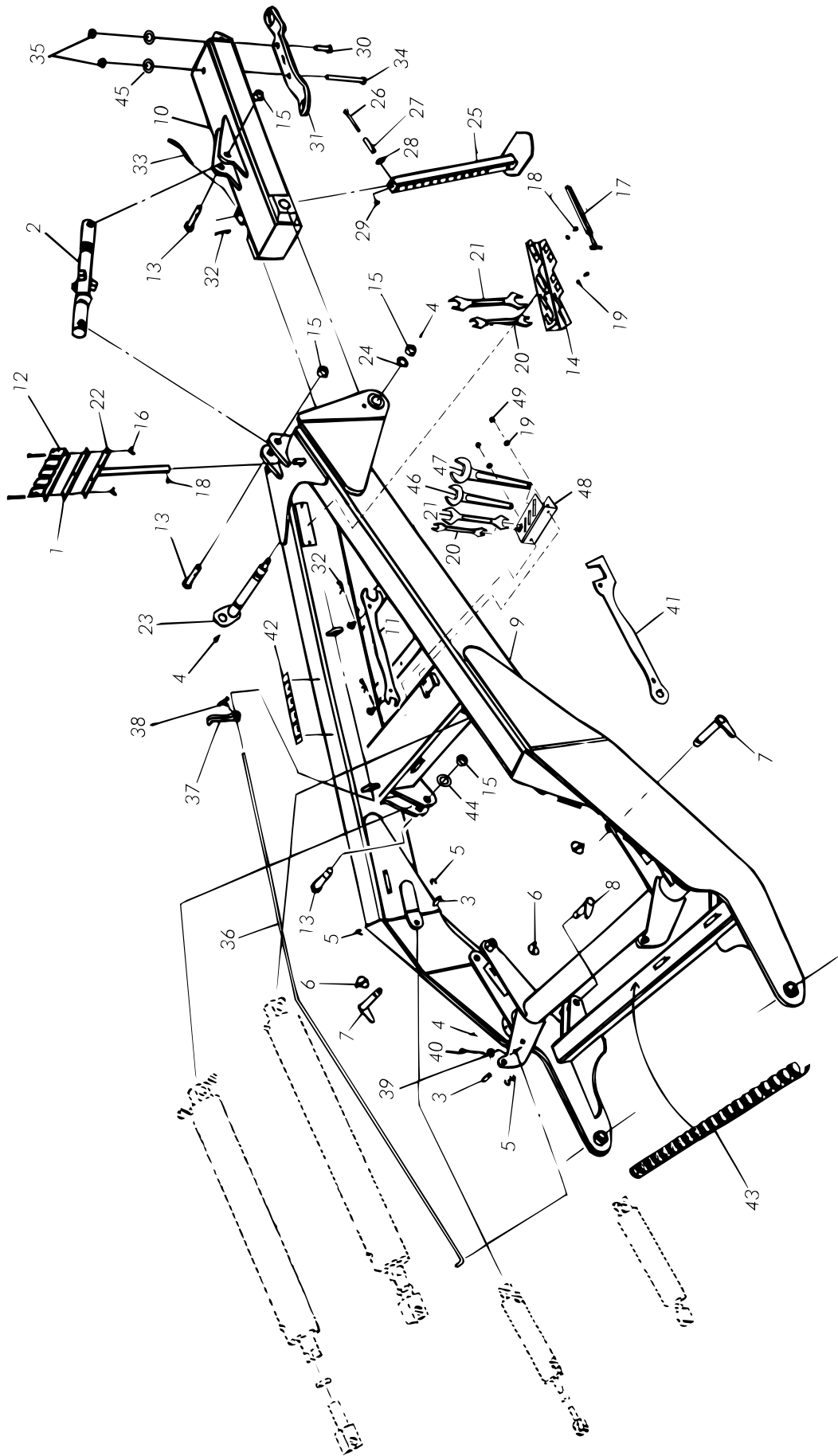
| Förkortning<br>Shortening<br>Verkürzungen | Svenska                   | English                   | Deutsch                      |
|---|---------------------------|---------------------------|------------------------------|
| EXT                                       | Förlängning               | Extension                 | Verlängerung                 |
| LH  | Vänster                   | Left hand                 | Links                        |
| RH  | Höger                     | Right hand                | Rechts                       |
| IN  | Inre                      | Inner                     | Innere                       |
| OUT                                       | Yttre                     | Outer                     | Äußere                       |
| UP  | Övre                      | Upper                     | Obere                        |
| LOW                                       | Undre                     | Lower                     | Untere                       |
| FR  | Främre                    | Front                     | Vordere                      |
| REAR                                      | Bakre                     | Rear                      | Hintere                      |
| CR  | Mitt                      | Center                    | Mitte                        |
| ML  | Hane                      | Male                      | Männchen                     |
| FML                                       | Hona                      | Female                    | Weibchen                     |
| SPEC                                      | Special                   | Special                   | Special                      |
| PL  | Slät                      | Plain                     | Glatt                        |
| ST  | Rak                       | Straight                  | Gerade                       |
| TW  | Vriden                    | Twisted                   | Gedreht                      |
| ANG                                       | Böjd                      | Bent                      | Gebogen                      |
| TO  | Tandad                    | Toothed                   | Gezahnt                      |
| TR  | Traktormönstrat           | Tractor tread             | Tractor profil               |
| RB  | Ribbat                    | Ribbed                    | Gerippt                      |
| ASSY                                      | Komplett                  | Complete                  | Komplett                     |
| P.OF                                      | Antal i förpackning       | Package of                | Anzahl pro Verpackung        |
| DI  | Diameter inre             | Inner diameter            | Innendurchmesser             |
| DO  | Diameter yttre            | Outer diameter            | Außendurchmesser             |
| D   | Hydraulicylinder diameter | Hydraulicylinder diameter | Hydraulicylinder durchmesser |
| H   | Höjd                      | Height                    | Höhe                         |
| L   | Längd                     | Length                    | Länge                        |
| T   | Tjocklek                  | Thickness                 | Dicke                        |
| V   | Volym                     | Volume                    | Volumen                      |
| W   | Bredd                     | Width                     | Breite                       |
| WI  | Bred                      | Wide                      | Breit                        |
| NW  | Smal                      | Narrow                    | Schmal                       |



---

### **3 Reservdelsförteckning Spare Parts List Ersatzteilverzeichnis**

Fig. / Abb. 1





**Drag  
Drawbar  
Deichsel**

CR 1025-1225

| Pos | No.         | Svenska            | English              | Deutsch                       | Dim             |
|-----|-------------|--------------------|----------------------|-------------------------------|-----------------|
| 1   | 427218      | Slanghållargummi   | Hose clamp rubber    | Gummistück, Schlauchhalterung |                 |
| 2   | 446311      | Tryckstång         | Push rod             | Druckstange                   |                 |
| 3   | 411260      | Axel               | Axle                 | Achse                         | Ø20x60          |
| 4   | 407661      | Smörjnippel        | Lubricating nipple   | Schmiernippel                 | ST, M8          |
| 5   | 54021500091 | Spårryttare        | Circlip              | Springring                    | RS 15           |
| 6   | 433250      | Sprint             | Pin                  | Splint                        |                 |
| 7   | 433247      | Ledbult            | Pin bolt             | Gelenkbolzen                  |                 |
| 8   | 433246      | Ledbult            | Pin bolt             | Gelenkbolzen                  |                 |
| 9   | 430880      | Drag               | Drawbar              | Deichsel                      |                 |
| 10  | 431000      | Drag               | Drawbar              | Deichsel                      |                 |
| 11  | 444988      | Verktyg            | Tool                 | Werkzeug                      |                 |
| 12  | 427221      | Plåt, slanghållare | Plate, hose clamp    | Blech, Schlauchhalterung      |                 |
| 13  | 430743      | Skruv              | Screw                | Schraube                      |                 |
| 14  | 444993      | Fäste              | Bracket              | Halterung                     |                 |
| 15  | 51023000011 | Låsmutter          | Lock nut             | Sicherungsmutter              | M30             |
| 16  | 51050800021 | Vingmutter         | Wing nut             | Flügelmutter                  | M8              |
| 17  | 407032      | Gummispännare      | Rubber strap         | Gummihalterung                |                 |
| 18  | 50000801221 | Skruv              | Screw                | Schraube                      | M8x12           |
| 19  | 52000800041 | Bricka             | Washer               | Scheibe                       | M8              |
| 20  | 444990      | Verktyg            | Tool                 | Werkzeug                      |                 |
| 21  | 444991      | Verktyg            | Tool                 | Werkzeug                      |                 |
| 22  | 427222      | Slanghållare       | Hose clamp           | Schlauchhalterung             |                 |
| 23  | 430594      | Ledbult            | Pin bolt             | Genenkbolzen                  | ASSY            |
| 24  | 52003000041 | Bricka             | Washer               | Scheibe                       | M30             |
| 25  | 443905      | Stödben            | Supporting leg       | Stützbein                     |                 |
| 26  | 50001613021 | Skruv              | Screw                | Schraube                      | M16x130         |
| 27  | 440418      | Rör                | Tube                 | Rohr                          |                 |
| 28  | 52141600041 | Bricka             | Washer               | Scheibe                       | 17,5x56x5       |
| 29  | 51011600021 | Låsmutter          | Lock nut             | Sicherungsmutter              | M16             |
| 30  | 415184      | Skruv              | Screw                | Schraube                      | M24x85,<br>10.9 |
| 31  | 426029      | Dragögla           | Draw ear             | Zugöse                        | ANG             |
| 32  | 405080      | Låsnål             | R-clip               | Arretierstift                 |                 |
| 33  | 401029      | Låssprint          | Locking pin          | Sicherungsbolzen              |                 |
| 34  | 50002422511 | Skruv              | Screw                | Schraube                      | M24x225         |
| 35  | 51022400021 | Låsmutter          | Lock nut             | Sicherungsmutter              | M24             |
| 36  | 448396      | Stång              | Bar                  | Stange                        |                 |
| 37  | 449387      | Visare             | Indicator            | Zeiger                        |                 |
| 38  | 414419      | Vingskruv          | Wing screw           | Flügelschraube                | M8x30           |
| 39  | 52001200041 | Bricka             | Washer               | Scheibe                       | M12             |
| 40  | 53030402570 | Saxpinne           | Split pin            | Hohlstift                     | Ø4x25           |
| 41  | 449094      | Verktyg            | Tool                 | Werkzeug                      |                 |
| 42  | 423316      | Dekal, "Djupskala" | Decal, "Depth scale" | Aufkleber, "Tiefenskala"      |                 |
| 43  | 423335      | Skyddsspiral       | Shield coil          | Schutzspirale                 | L=1,2 m         |
| 44  | 52003000041 | Bricka             | Washer               | Scheibe                       | M30             |
| 45  | 52002400041 | Bricka             | Washer               | Scheibe                       | M24             |
| 46  | 457636      | Nyckel             | Key                  | Schlüssel                     | 43"             |
| 47  | 457637      | Nyckel             | Key                  | Schlüssel                     | 52"             |
| 48  | 458591      | Fäste              | Bracket              | Halter                        |                 |
| 49  | 51010800021 | Låsmutter          | Lock nut             | Sicherungsmutter              | M8              |

Fig. / Abb. 2

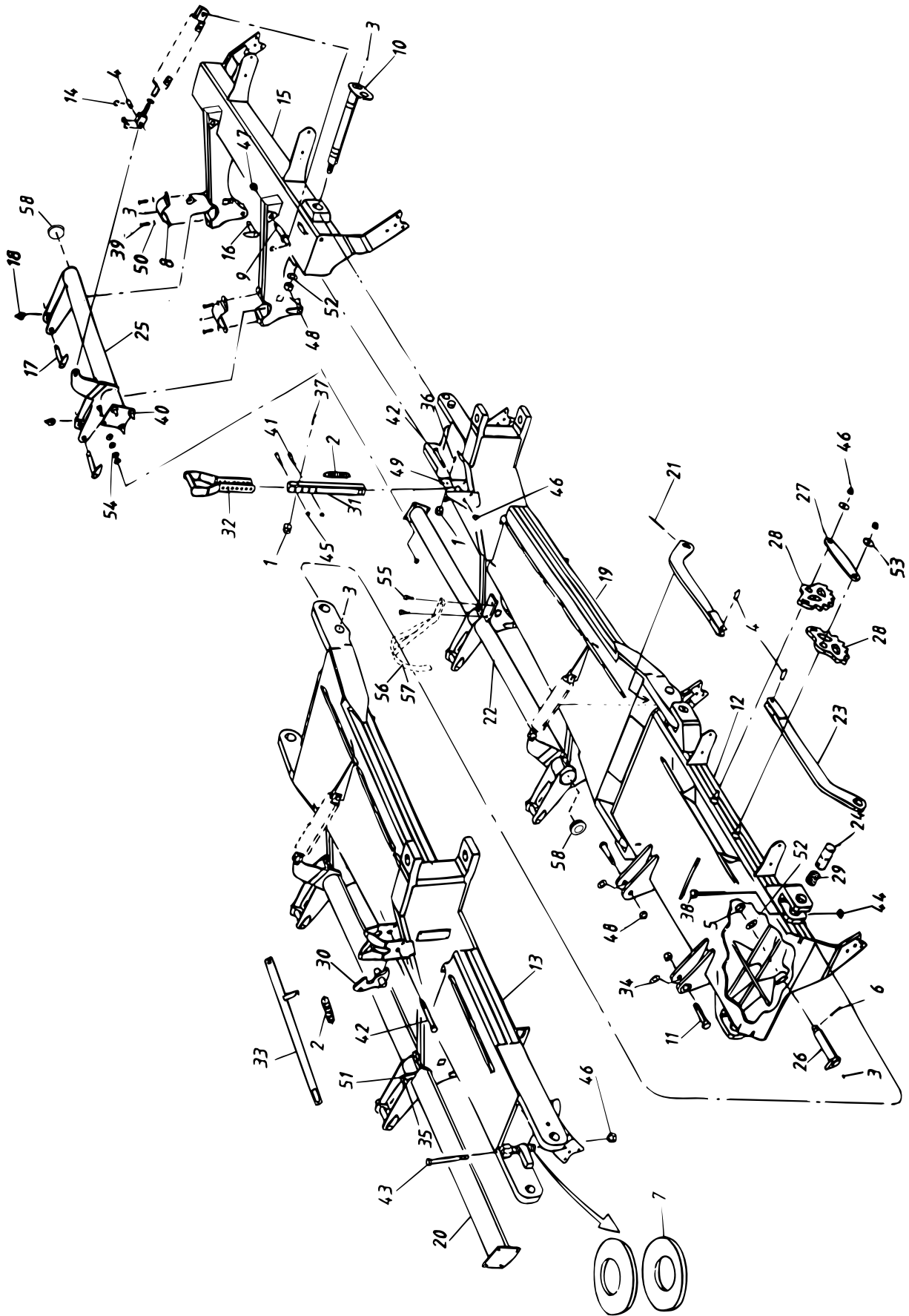


Fig. / Abb. 2

**Ram**  
**Frame**  
**Rahmen**

CR 1025-1225

| Pos | No.         | Svenska          | English            | Deutsch            | Dim     |         |
|-----|-------------|------------------|--------------------|--------------------|---------|---------|
| 1   | 406100      | Gummistötdämpare | Rubber damper      | Gummistößdämpfer   |         |         |
| 2   | 406568      | Dragfjäder       | Spring             | Feder              |         |         |
| 3   | 407661      | Smörjnippel      | Lubricating nipple | Schmiernippel      | ST, M8  |         |
| 4   | 411260      | Axel             | Axle               | Achse              | Ø20x60  |         |
| 5   | 421908      | Kronmutter       | Castle nut         | Kronenmutter       | M30x1,5 |         |
| 6   | 53000504091 | Spännstift       | Roll pin           | Spannstift         | Ø5x40   |         |
| 7   | 52072040291 | Fjäderbricka     | Spring washer      | Federscheibe       |         |         |
| 8   | 425968      | Bygel            | Clamp              | Bügel              |         |         |
| 9   | 426331      | Tapp             | Stud               | Achszapfen         |         |         |
| 10  | 430594      | Ledbult          | Pin bolt           | Genenkbolzen       | ASSY    |         |
| 11  | 430743      | Skruv            | Screw              | Schraube           |         |         |
| 12  | 430900      | Ram              | Frame              | Rahmen             | CR      |         |
| 13  | 451733      | Ram              | Frame              | Rahmen             | LH, IN  |         |
| 14  | 54021500091 | Spårryttare      | Circlip            | Springring         | RS 15   |         |
| 15  | 430941      | Ram              | Frame              | Rahmen             | RH, OUT | CR 1225 |
| 15  | 430940      | Ram              | Frame              | Rahmen             | LH, OUT | CR 1225 |
| 15  | 446457      | Ram              | Frame              | Rahmen             | LH, OUT | CR 1025 |
| 15  | 446458      | Ram              | Frame              | Rahmen             | RH, OUT | CR 1025 |
| 16  | 433246      | Ledbult          | Pin bolt           | Gelenkbolzen       |         |         |
| 17  | 433247      | Ledbult          | Pin bolt           | Gelenkbolzen       |         |         |
| 18  | 433250      | Sprint           | Pin                | Splint             |         |         |
| 19  | 451734      | Ram              | Frame              | Rahmen             | RH, IN  | CR 1225 |
| 20  | 441671      | Vridrör          | Rocker shaft       | Drehrohr           | LH, IN  |         |
| 21  | 53010608091 | Spännstift       | Roll pin           | Spannstift         | Ø6x80   |         |
| 22  | 441677      | Vridrör          | Rocker shaft       | Drehrohr           |         |         |
| 23  | 442364      | Stag             | Stay               | Strebe             |         |         |
| 24  | 442903      | Ledbult          | Pin bolt           | Führungsbolzen     |         |         |
| 25  | 442917      | Vridrör          | Rocker shaft       | Drehrohr           | RH, OUT | CR 1225 |
| 25  | 441673      | Vridrör          | Rocker shaft       | Drehrohr           | LH, OUT | CR 1225 |
| 25  | 446461      | Vridrör          | Rocker shaft       | Drehrohr           |         | CR 1025 |
| 25  | 446463      | Vridrör          | Rocker shaft       | Drehrohr           |         | CR 1025 |
| 26  | 443297      | Ledbult          | Pin bolt           | Führungsbolzen     |         |         |
| 27  | 443354      | Plåt             | Plate              | Blech              |         |         |
| 28  | 452692      | Kuggghjul        | Gear               | Zahnrad            |         |         |
| 29  | 443558      | Bussning         | Bushing            | Buchse             |         |         |
| 30  | 444759      | Spärr            | Catch              | Sperre             |         |         |
| 31  | 444764      | Tryckstång       | Push rod           | Druckstange        |         |         |
| 32  | 444765      | Spärr            | Catch              | Sperre             |         |         |
| 33  | 444786      | Tryckstång       | Push rod           | Druckstange        |         |         |
| 34  | 444984      | Bricka           | Washer             | Scheibe            |         |         |
| 35  | 53000604091 | Spännstift       | Roll pin           | Spannstift         | Ø6x40   |         |
| 36  | 50001002521 | Skruv            | Screw              | Schraube           | M10x25  |         |
| 37  | 50001006021 | Skruv            | Screw              | Schraube           | M10x60  |         |
| 38  | 50001214021 | Skruv            | Screw              | Schraube           | M12x140 |         |
| 39  | 50001605011 | Skruv            | Screw              | Schraube           | M16x50  |         |
| 40  | 50001607021 | Skruv            | Screw              | Schraube           | M16x70  |         |
| 41  | 50001610021 | Skruv            | Screw              | Schraube           | M16x100 |         |
| 42  | 50002016021 | Skruv            | Screw              | Schraube           | M20x160 |         |
| 43  | 50002020021 | Skruv            | Screw              | Schraube           | M20x200 |         |
| 44  | 51011200021 | Låsmutter        | Lock nut           | Sicherungsmutter   | M12     |         |
| 45  | 51021600021 | Låsmutter        | Lock nut           | Sicherungsmutter   | M16     |         |
| 46  | 51022000021 | Låsmutter        | Lock nut           | Sicherungsmutter   | M20     |         |
| 47  | 51022400021 | Låsmutter        | Lock nut           | Sicherungsmutter   | M24     |         |
| 48  | 51023000011 | Låsmutter        | Lock nut           | Sicherungsmutter   | M30     |         |
| 49  | 52001000041 | Bricka           | Washer             | Scheibe            | M10     |         |
| 50  | 52001600041 | Bricka           | Washer             | Scheibe            | M16     |         |
| 51  | 52002000041 | Bricka           | Washer             | Scheibe            | M20     |         |
| 52  | 52003000041 | Bricka           | Washer             | Scheibe            | M30     |         |
| 53  | 52052100041 | Bricka           | Washer             | Scheibe            |         |         |
| 54  | 52061600091 | Spännbricka      | Spring washer      | Spannscheibe       | M16     |         |
| 55  | 50000802021 | Skruv            | Screw              | Schraube           | M8x20   |         |
| 56  | 445074      | Skala            | Scale              | Skala              | ASSY    |         |
| 57  | 302657      | Index, djupskala | Index, depth scale | Index, Tiefenskala |         |         |
| 58  | 426089      | Lock             | Cover              | Deckel             |         |         |

Fig. / Abb. 3

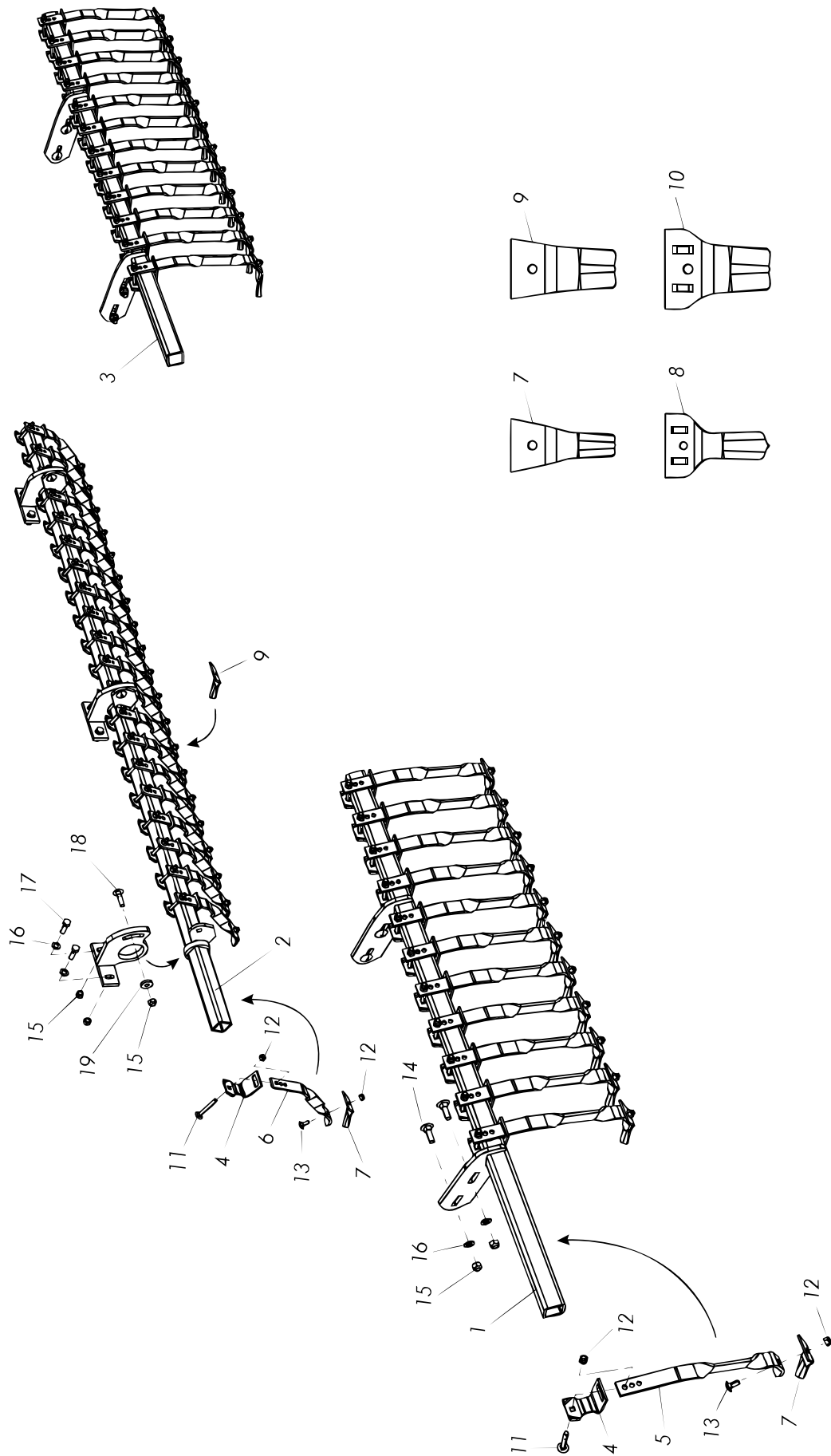


Fig. / Abb. 3

**Avskrapare**  
**Scraper**  
**Abstreifer**
**CR 1025-1225**  
**4 100-**

| Pos | No.         | Svenska                    | English                     | Deutsch                      | Dim             |                                   |
|-----|-------------|----------------------------|-----------------------------|------------------------------|-----------------|-----------------------------------|
| 1   | 451259      | Avskraparbalk, mitt        | Scraper beam, center        | Abstreiferbalken, mitte      |                 |                                   |
| 2   | 450904      | Avskraparbalk, hjulsektion | Scraper beam, wheel section | Abstreiferbalken, radsektion |                 |                                   |
| 3   | 451259      | Avskraparbalk, ytter       | Scraper beam, outer         | Abstreiferbalken, aussen     |                 | CR 1225                           |
| 3   | 451260      | Avskraparbalk, ytter       | Scraper beam, outer         | Abstreiferbalken, aussen     | LH              | CR 1025                           |
| 3   | 451261      | Avskraparbalk, ytter       | Scraper beam, outer         | Abstreiferbalken, aussen     | RH              | CR 1025                           |
| 4   | 426600      | Pinnfäste                  | Tine mounting               | Zinkenträger                 |                 |                                   |
| 5   | 450432      | Pinne                      | Tine                        | Zinken                       |                 |                                   |
| 6   | 450316      | Pinne                      | Tine                        | Zinken                       |                 |                                   |
| 7   | 451404      | Platta                     | Plate                       | Platte                       |                 |                                   |
| 8   | 450928      | Platta                     | Plate                       | Platte                       |                 | Tillbehör/<br>Access./<br>Zubehör |
| 9   | 451762      | Platta                     | Plate                       | Platte                       | CR              |                                   |
| 10  | 451345      | Platta                     | Plate                       | Platte                       | CR              | Tillbehör/<br>Access./<br>Zubehör |
| 11  | 50061210021 | Vagnsbult                  | Carriage bolt               | Bolzen                       | M12x100         |                                   |
| 12  | 51011200021 | Låsmutter                  | Lock nut                    | Sicherungsmutter             | M12             |                                   |
| 13  | 50061203021 | Vagnsbult                  | Carriage bolt               | Bolzen                       | M12x30          |                                   |
| 14  | 50061605021 | Vagnsbult                  | Carriage bolt               | Bolzen                       | M16x50          |                                   |
| 15  | 51021600021 | Låsmutter                  | Lock nut                    | Sicherungsmutter             | M16             |                                   |
| 16  | 52001600041 | Bricka                     | Washer                      | Scheibe                      | M16             |                                   |
| 17  | 50001605021 | Skruv                      | Screw                       | Schraube                     | M16x50          |                                   |
| 18  | 50061606011 | Vagnsbult                  | Carriage bolt               | Bolzen                       | M16x60,<br>10.9 |                                   |
| 19  | 52111600041 | Bricka                     | Washer                      | Scheibe                      | M16             |                                   |

Fig. / Abb. 4

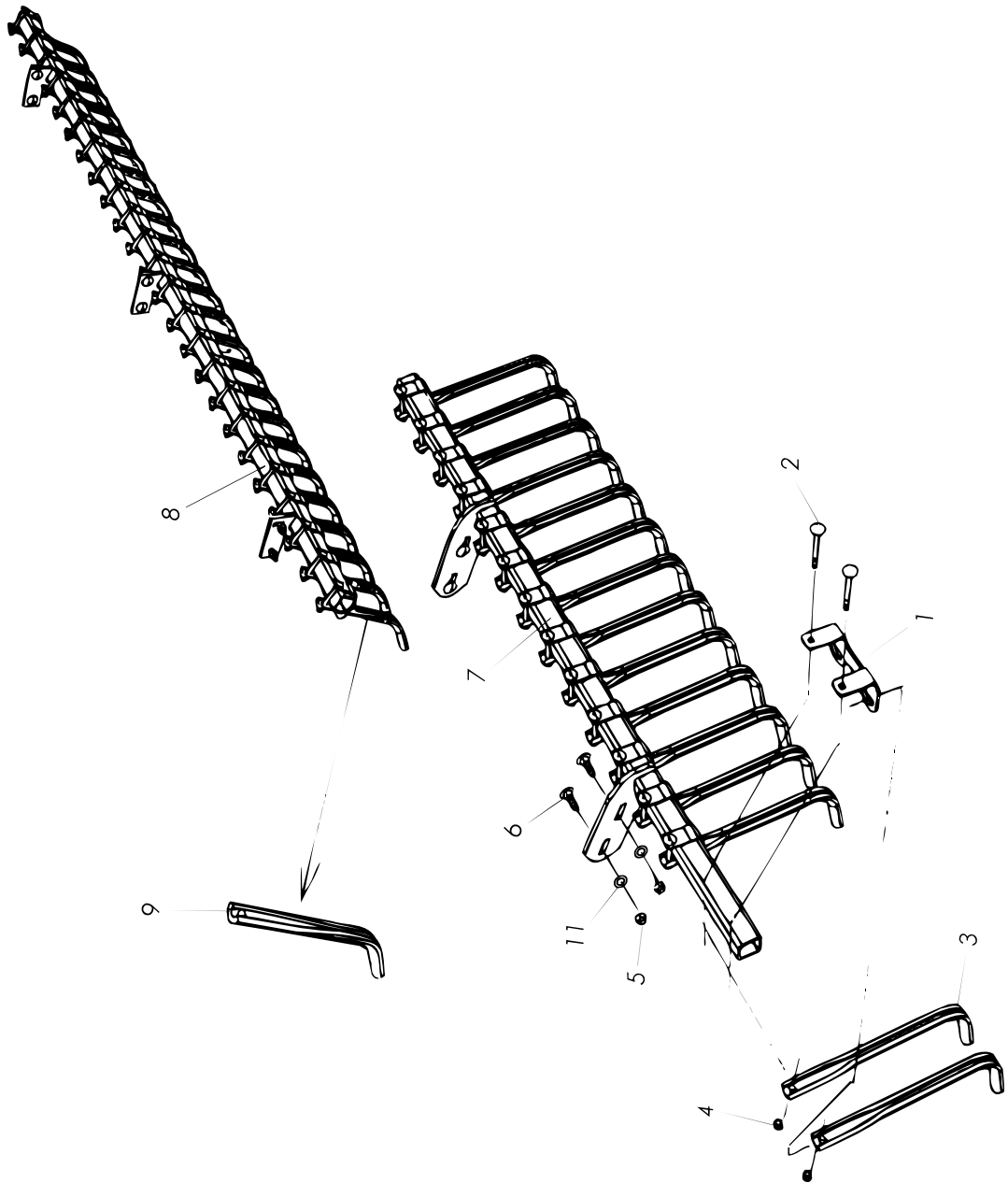
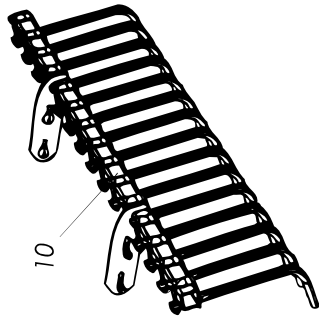


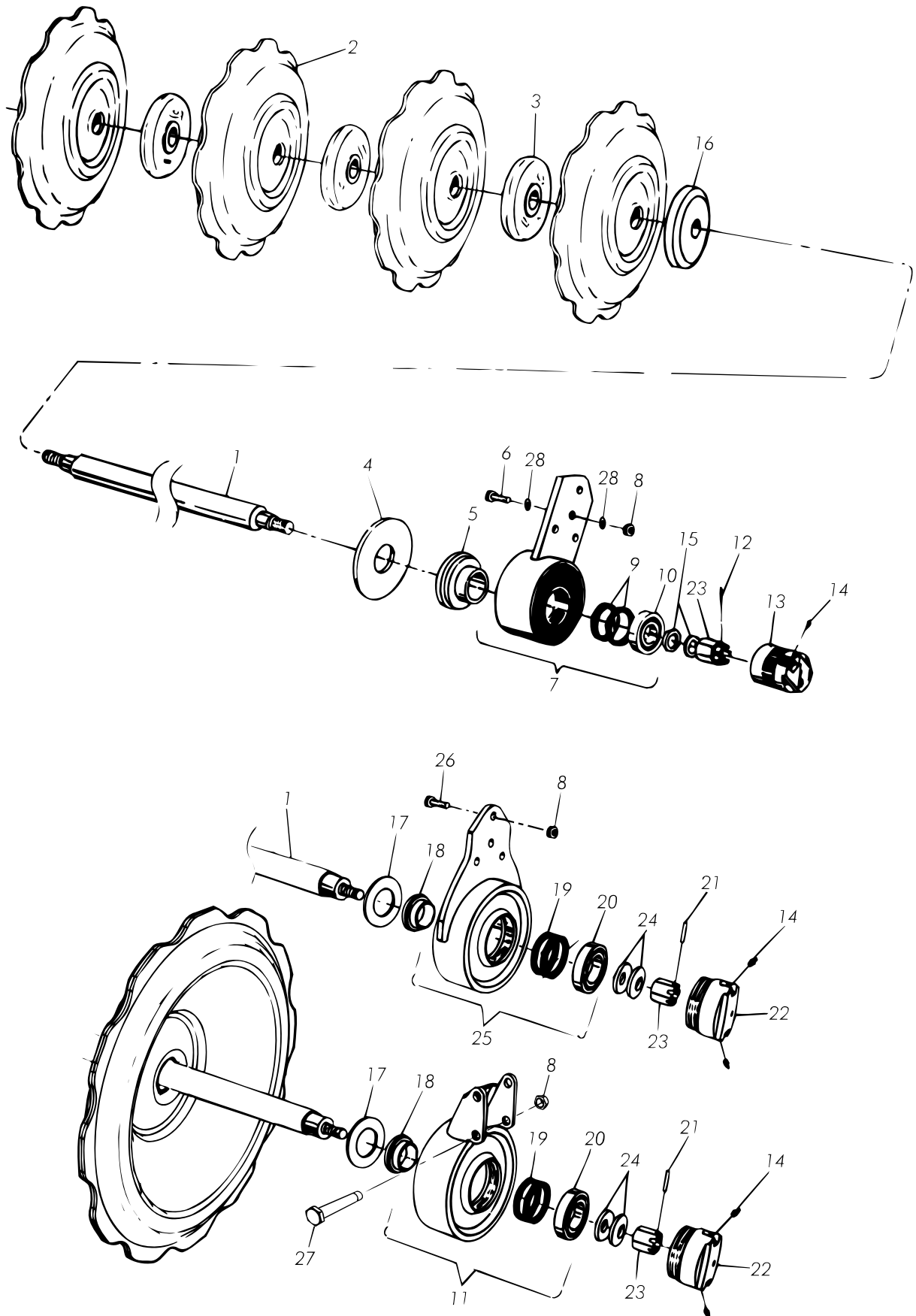
Fig. / Abb. 4

**Avskrapare  
Scraper  
Abstreifer**

**CR 1025-1225  
-4 099**

| Pos | No.         | Svenska                    | English                     | Deutsch                      | Dim     |         |
|-----|-------------|----------------------------|-----------------------------|------------------------------|---------|---------|
| 1   | 434138      | Fäste, 2 pinnar            | Bracket, 2 tines            | Halterung, 2 Zinken          |         |         |
| 1   | 434137      | Fäste, 3 pinnar            | Bracket, 3 tines            | Halterung, 3 Zinken          |         |         |
| 2   | 50061211021 | Vagnsbult                  | Carriage bolt               | Bolzen                       | M12x110 |         |
| 3   | 448473      | Avskrapare, lång           | Scraper, long               | Abstreifer, lang             |         |         |
| 4   | 51011200021 | Låsmutter                  | Lock nut                    | Sicherungsmutter             | M12     |         |
| 5   | 51021600021 | Låsmutter                  | Lock nut                    | Sicherungsmutter             | M16     |         |
| 6   | 50061605021 | Vagnsbult                  | Carriage bolt               | Bolzen                       | M16x50  |         |
| 7   | 443161      | Avskraparbalk, mitt        | Scraper beam, center        | Abstreiferbalken, mitte      |         |         |
| 8   | 443230      | Avskraparbalk, hjulsektion | Scraper beam, wheel section | Abstreiferbalken, radsektion | LH, RH  |         |
| 9   | 448474      | Avskrapare, kort           | Scraper, short              | Abstreifer, kurz             |         |         |
| 10  | 443161      | Avskraparbalk, ytter       | Scraper beam, outer         | Abstreiferbalken, aussen     |         | CR 1225 |
| 10  | 446467      | Avskraparbalk, ytter       | Scraper beam, outer         | Abstreiferbalken, aussen     | LH      | CR 1025 |
| 10  | 446889      | Avskraparbalk, ytter       | Scraper beam, outer         | Abstreiferbalken, aussen     | RH      | CR 1025 |
| 11  | 52001600041 | Bricka                     | Washer                      | Scheibe                      | M16     |         |

Fig. / Abb. 5

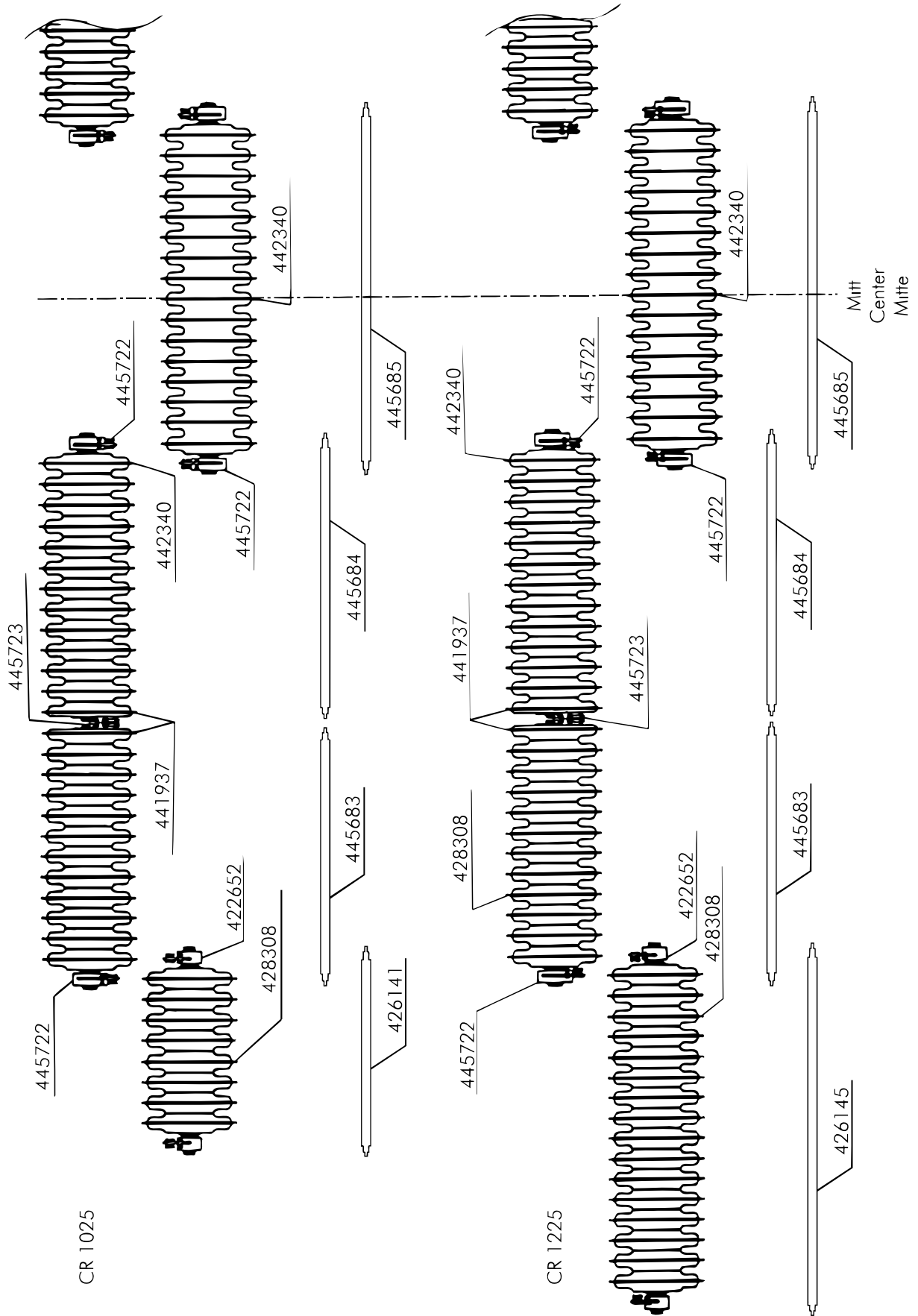




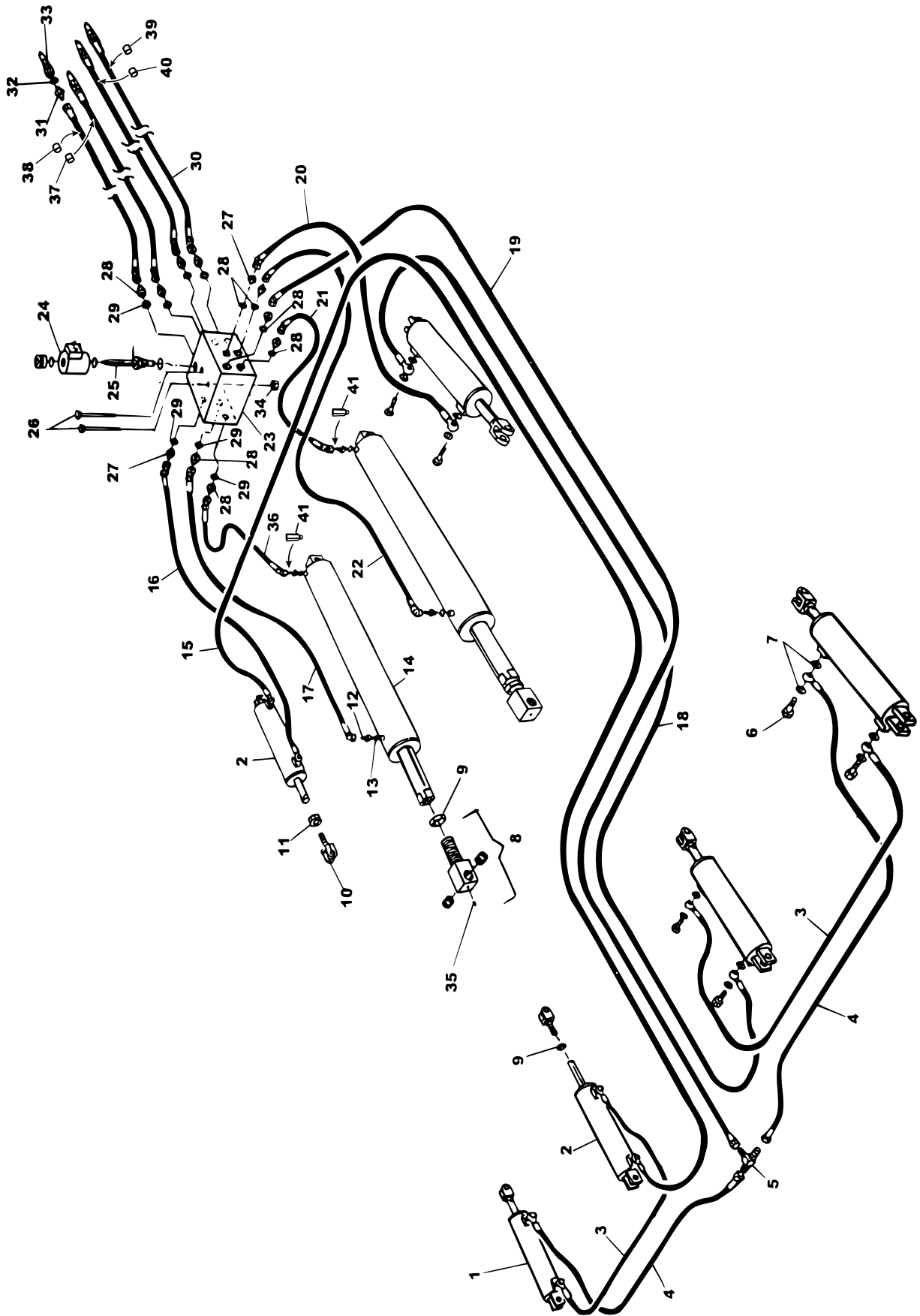
**Vältpaket**  
**Roller ring unit**  
**Walzenpaket**

CR 1025-1225

| Pos | No.         | Svenska                     | English                            | Deutsch                            | Dim                |         |
|-----|-------------|-----------------------------|------------------------------------|------------------------------------|--------------------|---------|
| 1   | 445685      | Vältaxel, mittsektion       | Roller shaft, center section       | Walzenachse, Mittelstück           | L=2237             |         |
| 1   | 445684      | Vältaxel, inre hjulsektion  | Roller shaft, inner wheel section  | Walzenachse, Innere Radsektion     | L=1728             |         |
| 1   | 445683      | Vältaxel, yttre hjulsektion | Roller shaft, outer wheel section  | Walzenachse, Äußere Radsektion     | L=1600             |         |
| 1   | 426141      | Vältaxel, yttersektion      | Roller shaft, outer section        | Walzenachse, Äußensektion          | L=1237             | CR 1025 |
| 1   | 426145      | Vältaxel, yttersektion      | Roller shaft, outer section        | Walzenachse, Äußensektion          | L=2237             | CR 1225 |
| 2   | 442340      | Vältring, stål              | Roller ring, steel                 | Walzenring, stahl                  | Ø600               |         |
| 2   | 428308      | Vältring, stål              | Roller ring, steel                 | Walzenring, stahl                  | Ø600               |         |
| 2   | 441937      | Vältring, stål              | Roller ring, steel                 | Walzenring, stahl                  | Ø600               |         |
| 3   | 428314      | Vikt, vältpaket, stål       | Weight, rollerpackage, steel       | Gewicht, Ackerwalze paket, stahl   |                    |         |
| 4   | 422488      | Bricka                      | Washer                             | Scheibe                            |                    |         |
| 5   | 422467      | Hylsa                       | Sleeve                             | Hülse                              |                    |         |
| 6   | 50001605011 | Skruv                       | Screw                              | Schraube                           | M16x50             |         |
| 7   | 452680      | Gummifjädring, inkl. lager  | Rubber suspension, incl. bearing   | Gummifederung, einschl. Lager      | ASSY               |         |
| 8   | 51021600021 | Låsmutter                   | Lock nut                           | Sicherungsmutter                   | M16                |         |
| 9   | 422464      | Tätning                     | Sealing                            | Dichtung                           |                    |         |
| 10  | 422463      | Lager                       | Bearing                            | Lager                              | 6207 2RS1          |         |
| 11  | 445723      | Gummifjädring, inkl. lager  | Rubber suspension, incl. bearing   | Gummifederung, einschl. Lager      | ASSY               |         |
| 12  | 53000603590 | Spännstift                  | Lock pin                           | Spannstift                         | Ø6x35              |         |
| 13  | 422418      | Lagerlock                   | Bearing cover                      | Lagerdeckel                        |                    |         |
| 14  | 407661      | Smörjnippel                 | Lubricating nipple                 | Schmiernippel                      | ST, M8             |         |
| 15  | 52062400094 | Spännbricka                 | Spring washer                      | Spannsceibe                        | M24                |         |
| 16  | 428313      | Ändplatta, vältpaket, stål  | End platform, rollerpackage, steel | Endplatte, Ackerwalze paket, stahl |                    |         |
| 17  | 440972      | Bricka                      | Washer                             | Scheibe                            |                    |         |
| 18  | 445465      | Hylsa                       | Sleeve                             | Hülse                              |                    |         |
| 19  | 445711      | Tätning                     | Seal                               | Dichtung                           |                    |         |
| 20  | 445710      | Kullager                    | Ball bearing                       | Kugellager                         | 6210 2RS           |         |
| 21  | 53010603590 | Spännstift                  | Roll pin                           | Spannstift                         | 6x35               |         |
| 22  | 445466      | Lock                        | Cover                              | Deckel                             |                    |         |
| 23  | 428721      | Kronmutter                  | Castle nut                         | Kronenmutter                       | M24                |         |
| 24  | 52062400094 | Spännbricka                 | Spring washer                      | Spannsceibe                        | M24                |         |
| 25  | 445722      | Gummifjädring, inkl. lager  | Rubber suspension, incl. bearing   | Gummifederung, einschl. Lager      | ASSY               |         |
| 26  | 50001605011 | Skruv                       | Screw                              | Schraube                           | M16x50             |         |
| 27  | 452352      | Skruv                       | Screw                              | Schraube                           | M16 x 130,<br>10.9 |         |
| 28  | 52081600041 | Nordlockbricka              | Nordlock washer                    | Scheibe, Nordlock                  | M16                |         |







| Pos | No.         | Svenska               | English                | Deutsch                       | Dim            |    |
|-----|-------------|-----------------------|------------------------|-------------------------------|----------------|----|
| 1   | 422235      | Hydraulcylinder       | Hydraulic ram          | Hydraulikzylinder             | Ø70/25         |    |
| 2   | 422236      | Hydraulcylinder       | Hydraulic ram          | Hydraulikzylinder             | Ø75/25         |    |
| 3   | 446496      | Hydraulslang          | Hydraulic hose         | Hydraulikschlauch             |                |    |
| 4   | 446497      | Hydraulslang          | Hydraulic hose         | Hydraulikschlauch             |                |    |
| 5   | 446180      | T-Adapter             | T-Adapter              | T-Adapter                     |                |    |
| 6   | 406751      | Hålskruv, banjo       | Hole screw, banjo      | Hohlschraube, Banjo           | 1/4"           |    |
| 7   | 402202      | Gummistålbricka       | Rubber steel washer    | Gummistahlscheibe             | 1/4"           |    |
| 8   | 425106      | Kolvstångshuvud       | Piston rod head        | Kolbenstangenende             |                |    |
| 9   | 425107      | Mutter                | Nut                    | Mutter                        | M45x2          |    |
| 10  | 421292      | Gaffellänk            | Fork link              | Gabelstück                    |                |    |
| 11  | 51032000021 | Mutter                | Nut                    | Mutter                        | M20            |    |
| 12  | 401777      | Adapter               | Adapter                | Adapter                       | 3/8"x3/8"      |    |
| 13  | 402203      | Gummistålbricka       | Rubber steel washer    | Gummistahlscheibe             | 3/8"           |    |
| 14  | 443095      | Hydraulcylinder       | Hydraulic ram          | Hydraulikzylinder             |                |    |
| 15  | 446495      | Hydraulslang          | Hydraulic hose         | Hydraulikschlauch             |                |    |
| 16  | 446493      | Hydraulslang          | Hydraulic hose         | Hydraulikschlauch             |                |    |
| 17  | 446491      | Hydraulslang          | Hydraulic hose         | Hydraulikschlauch             |                |    |
| 18  | 446498      | Hydraulslang          | Hydraulic hose         | Hydraulikschlauch             |                |    |
| 19  | 446499      | Hydraulslang          | Hydraulic hose         | Hydraulikschlauch             |                |    |
| 20  | 446494      | Hydraulslang          | Hydraulic hose         | Hydraulikschlauch             |                |    |
| 21  | 446490      | Hydraulslang          | Hydraulic hose         | Hydraulikschlauch             |                |    |
| 22  | 446492      | Hydraulslang          | Hydraulic hose         | Hydraulikschlauch             |                |    |
| 23  | 446594      | Hydraulblock          | Hydraulic block        | Hydraulikblock                |                |    |
| 24  | 420657      | Solenoid, svart, rund | Solenoid, black, round | Magnetschalter, schwarz, rund |                |    |
| 25  | 420650      | Patronventil          | Cartridge valve        | Patronenventil                | EC08B/<br>10NB |    |
| 25  | 416267      | Tätningssats          | Sealing set            | Dichtungssatz                 |                |    |
| 26  | 50000811021 | Skruv                 | Screw                  | Schraube                      | M8x110         |    |
| 27  | 401789      | Nippel                | Nipple                 | Nippel                        | 1/4"-3/8"      |    |
| 28  | 401777      | Adapter               | Adapter                | Adapter                       | 3/8"x3/8"      |    |
| 29  | 402203      | Gummistålbricka       | Rubber steel washer    | Gummistahlscheibe             | 3/8"           |    |
| 30  | 446488      | Hydraulslang          | Hydraulic hose         | Hydraulikschlauch             |                |    |
| 31  | 401773      | Nippel                | Nipple                 | Nippel                        | 3/8"-1/2"      |    |
| 32  | 401774      | Gummistålbricka       | Rubber steel washer    | Gummistahlscheibe             | 1/2"           |    |
| 33  | 401776      | Snabbkoppling         | Quick coupling         | Schnellkupplung               | ML, 1/2"       |    |
| 34  | 51010800021 | Låsmutter             | Lock nut               | Sicherungsmutter              | M8             |    |
| 35  | 407661      | Smörjnippel           | Lubricating nipple     | Schmiernippel                 | ST, M8         |    |
| 36  | 446489      | Hydraulslang          | Hydraulic hose         | Hydraulikschlauch             |                |    |
| 37  | 411301      | Plastring, gul        | Plastic ring, yellow   | Kunststoffring, gelb          | -              | D1 |
| 38  | 411300      | Plastring, gul        | Plastic ring, yellow   | Kunststoffring, gelb          | +              | D2 |
| 39  | 411303      | Plastring, vit        | Plastic ring, white    | Kunststoffring, weiß          | -              | D4 |
| 40  | 411302      | Plastring, vit        | Plastic ring, white    | Kunststoffring, weiß          | +              | D3 |
| 41  | 449384      | Ventil                | Valve                  | Ventil                        |                |    |

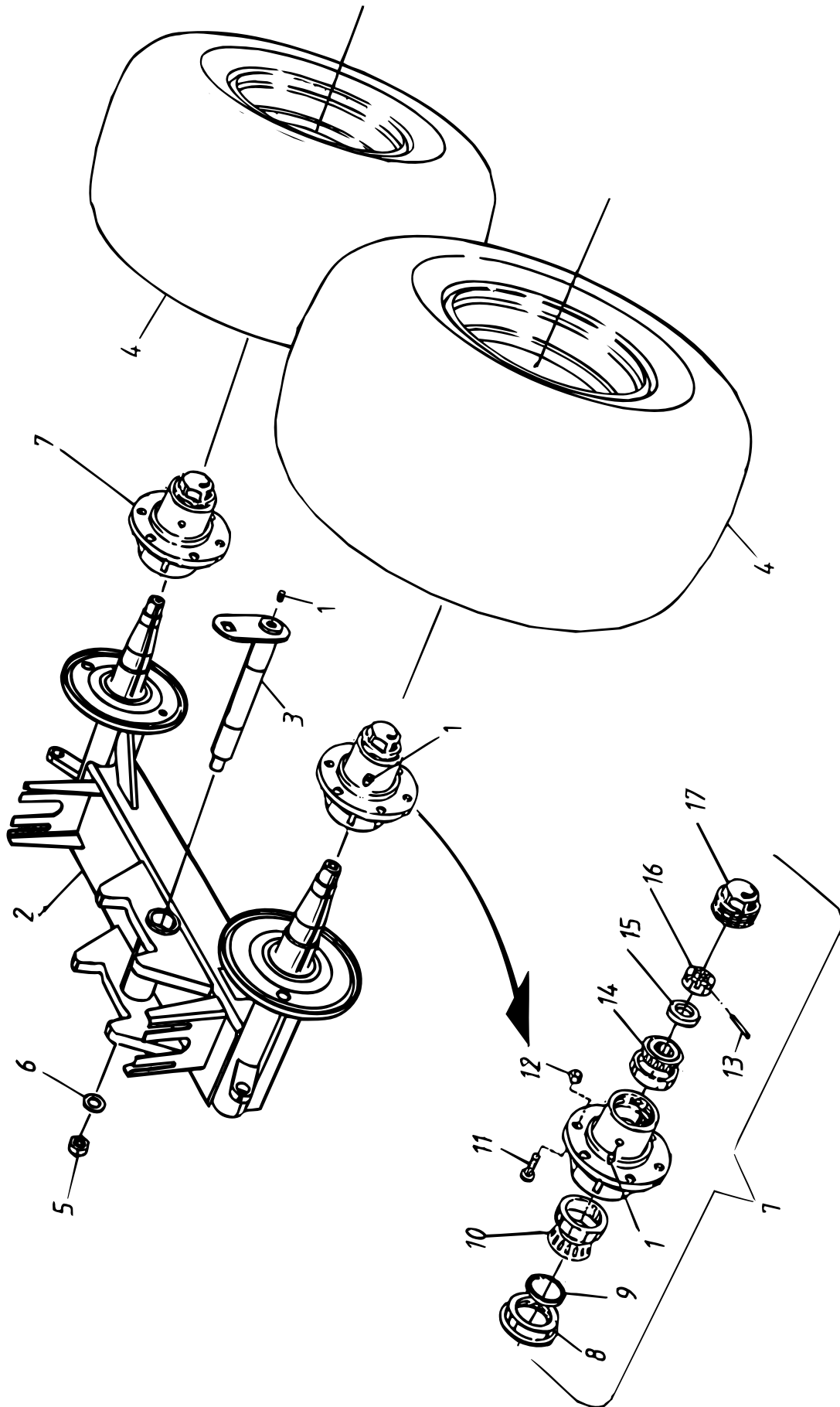


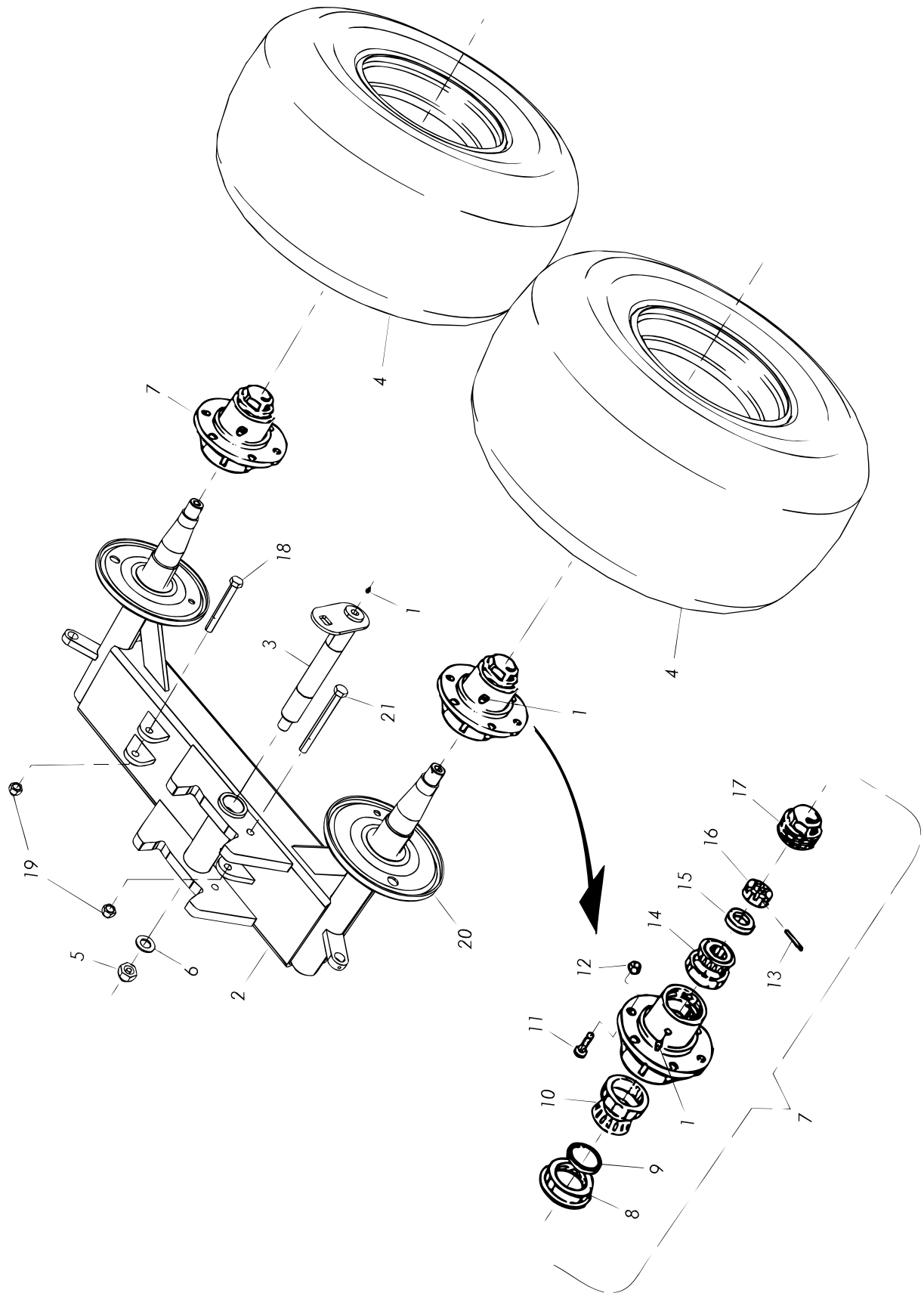
Fig. / Abb. 8

**Hjul, för luftbromsar**  
**Wheel, for pneumatic brakes**  
**Rad, für Luftbremsen**

CR 1025-1225

| Pos | No.         | Svenska         | English            | Deutsch           | Dim                    |
|-----|-------------|-----------------|--------------------|-------------------|------------------------|
| 1   | 407661      | Smörjnippel     | Lubricating nipple | Schmiernippel     | ST, M8                 |
| 2   | 421994      | Boggiställ      | Bogie cradle       | Radgestellswinge  | LH                     |
| 2   | 421995      | Boggiställ      | Bogie cradle       | Radgestellswinge  | RH                     |
| 3   | 422338      | Ledbult         | Pin bolt           | Gelenkbolzen      |                        |
| 4   | 428254      | Hjul, 14-lagers | Wheel, 14-ply      | Rad, 14-PR        | ASSY, 400/<br>60x15,5" |
| 4   | 428255      | Däck, 14-lagers | Tyre, 14 plies     | Reifen, PR 16     | 400/<br>60x15,5"       |
| 4   | 414981      | Slang           | Hose               | Schlauch          |                        |
| 4   | 414982      | Fälg            | Rim                | Felge             |                        |
| 5   | 51023000011 | Låsmutter       | Lock nut           | Sicherungsmutter  | M30                    |
| 6   | 52003000041 | Bricka          | Washer             | Scheibe           | M30                    |
| 7   | 422276      | Nav             | Hub                | Nabe              | 196                    |
| 8   | 421445      | Tättningsbricka | Sealing washer     | Dichtungsscheibe  |                        |
| 9   | 421440      | Tättningsring   | Sealing ring       | Dichtungsring     |                        |
| 10  | 421441      | Rullager        | Roller bearing     | Rollenlager       |                        |
| 11  | 408173      | Fälgbult        | Wheel stud         | Nabenbolzen       | M18x1.5                |
| 12  | 408172      | Fälgmutter      | Rim nut            | Felgenmutter      |                        |
| 13  | 53010505590 | Spännstift      | Roll pin           | Spannstift        | Ø5x55                  |
| 14  | 404712      | Rullager        | Roller bearing     | Rollenlager       |                        |
| 15  | 421443      | Slitbricka      | Wear washer        | Verschleißscheibe |                        |
| 16  | 404557      | Kronmutter      | Castle nut         | Kronenmutter      | M40x1,5                |
| 17  | 421444      | Navkapsel       | Hub cap            | Radkappe          |                        |

Fig. / Abb. 9



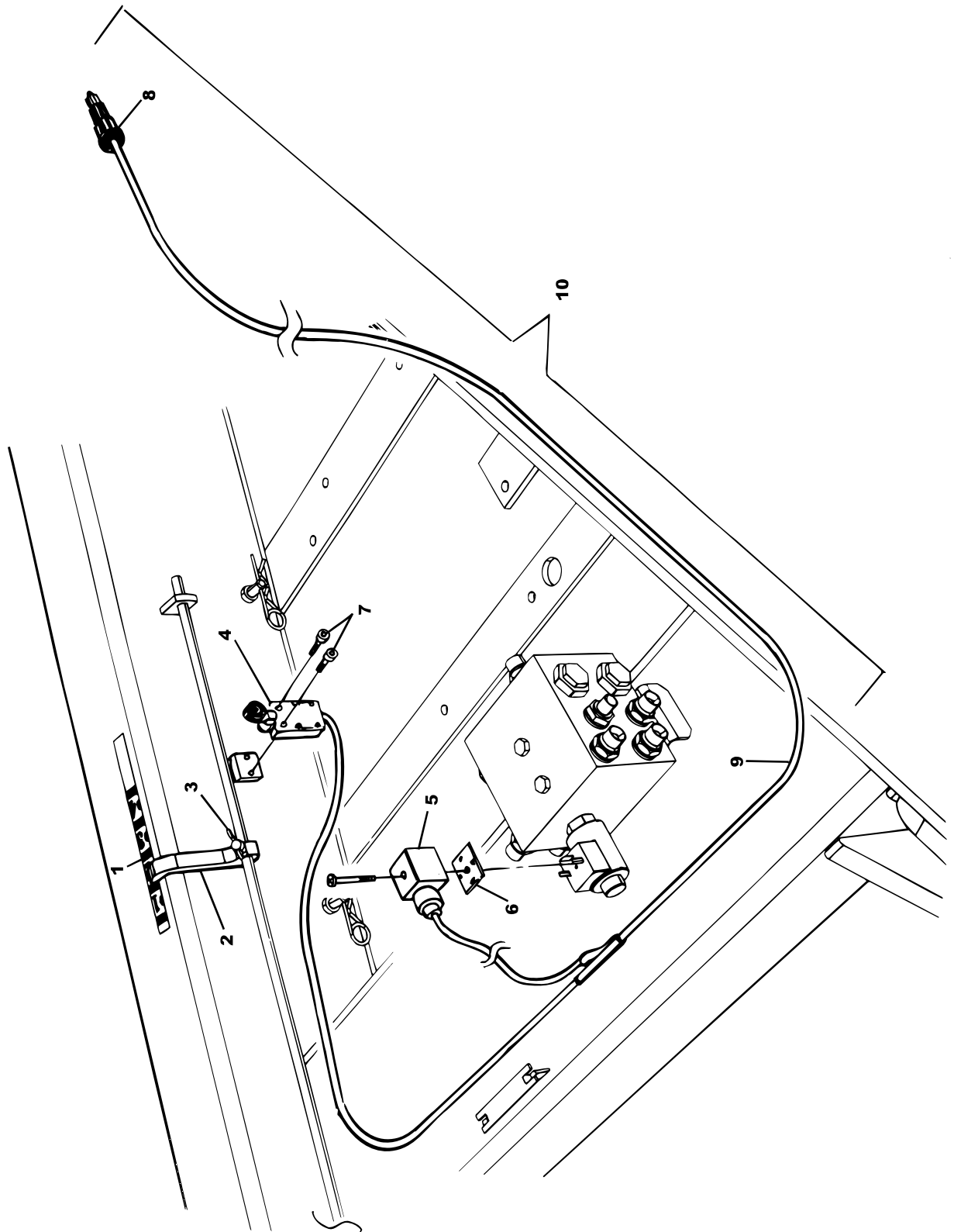


**Hjul, för hydraulisk bromsar**  
**Wheel, for hydraulic brakes**  
**Rad, für Hydraulische Bremsen**

CR 1025-1225

| Pos | No.         | Svenska         | English            | Deutsch           | Dim                    |
|-----|-------------|-----------------|--------------------|-------------------|------------------------|
| 1   | 407661      | Smörjnippel     | Lubricating nipple | Schmiernippel     | ST, M8                 |
| 2   | 449953      | Boggievagga     | Bogie cradle       | Radgestellswinge  | LH                     |
| 2   | 449954      | Boggievagga     | Bogie cradle       | Radgestellswinge  | RH                     |
| 3   | 422338      | Ledbult         | Pin bolt           | Gelenkbolzen      |                        |
| 4   | 428254      | Hjul, 14-lagers | Wheel, 14-ply      | Rad, 14-PR        | ASSY, 400/<br>60x15,5" |
| 4   | 428255      | Däck, 14-lagers | Tyre, 14 plies     | Reifen, PR 16     | 400/<br>60x15,5"       |
| 4   | 414981      | Slang           | Hose               | Schlauch          |                        |
| 4   | 414982      | Fälg            | Rim                | Felge             |                        |
| 5   | 51023000011 | Låsmutter       | Lock nut           | Sicherungsmutter  | M30                    |
| 6   | 52003000041 | Bricka          | Washer             | Scheibe           | M30                    |
| 7   | 422276      | Nav             | Hub                | Nabe              | 196                    |
| 8   | 421445      | Tättningsbricka | Sealing washer     | Dichtungsscheibe  |                        |
| 9   | 421440      | Tättningsring   | Sealing ring       | Dichtungsring     |                        |
| 10  | 421441      | Rullager        | Roller bearing     | Rollenlager       |                        |
| 11  | 408173      | Fälgbult        | Wheel stud         | Nabenbolzen       | M18x1.5                |
| 12  | 408172      | Fälgmutter      | Rim nut            | Felgenmutter      |                        |
| 13  | 53010505590 | Spännstift      | Roll pin           | Spannstift        | Ø5x55                  |
| 14  | 404712      | Rullager        | Roller bearing     | Rollenlager       |                        |
| 15  | 421443      | Slitbricka      | Wear washer        | Verschleißscheibe |                        |
| 16  | 404557      | Kronmutter      | Castle nut         | Kronenmutter      | M40x1,5                |
| 17  | 421444      | Navkapsel       | Hub cap            | Radkappe          |                        |
| 18  | 50002016021 | Skruv           | Screw              | Schraube          | M20x160                |
| 19  | 51022000021 | Låsmutter       | Lock nut           | Sicherungsmutter  | M20                    |
| 20  | 423314      | Bromssköld      | Back plate         | Bremsschild       |                        |
| 21  | 50002020021 | Skruv           | Screw              | Schraube          | M20x200                |

Fig. / Abb. 10



**Djupstopp**  
**Depth stop**  
**Tiefenhaltung**

CR 1025-1225

| Pos | No.         | Svenska                              | English                        | Deutsch                                   | Dim   |
|-----|-------------|--------------------------------------|--------------------------------|---|-------|
| 1   | 423316      | Dekal, "Djupskala"                   | Decal, "Depth scale"           | Aufkleber, "Tiefenskala"                  |       |
| 2   | 449387      | Visare                               | Indicator                      | Zeiger                                    |       |
| 3   | 414419      | Vingskruv                            | Wing screw                     | Flügelschraube                            |       |
| 4   | 417635      | Gränslägesbrytare, inkl. 2 st 415360 | Limit switch, incl. two 415360 | Endlagenschalter, einschl. 2 Stück 415360 | M8x30 |
| 5   | 412428      | Kontakt                              | Connector                      | Schalter                                  |       |
| 6   | 413650      | Silikongummitätning                  | Silicone rubber seal           | Silikongummidichtung                      |       |
| 7   | 50030402021 | Skruv, insex                         | Screw, socket cap              | Schraube, innensechskant                  | M4x20 |
| 8   | 427073      | Stickpropp                           | Plug                           | Steckkontakt                              | 12 mm |
| 9   | 427859      | Kabel                                | Cable                          | Kabel                                     |       |
| 10  | 449457      | Kablage                              | Cable harness                  | Kabel                                     |       |

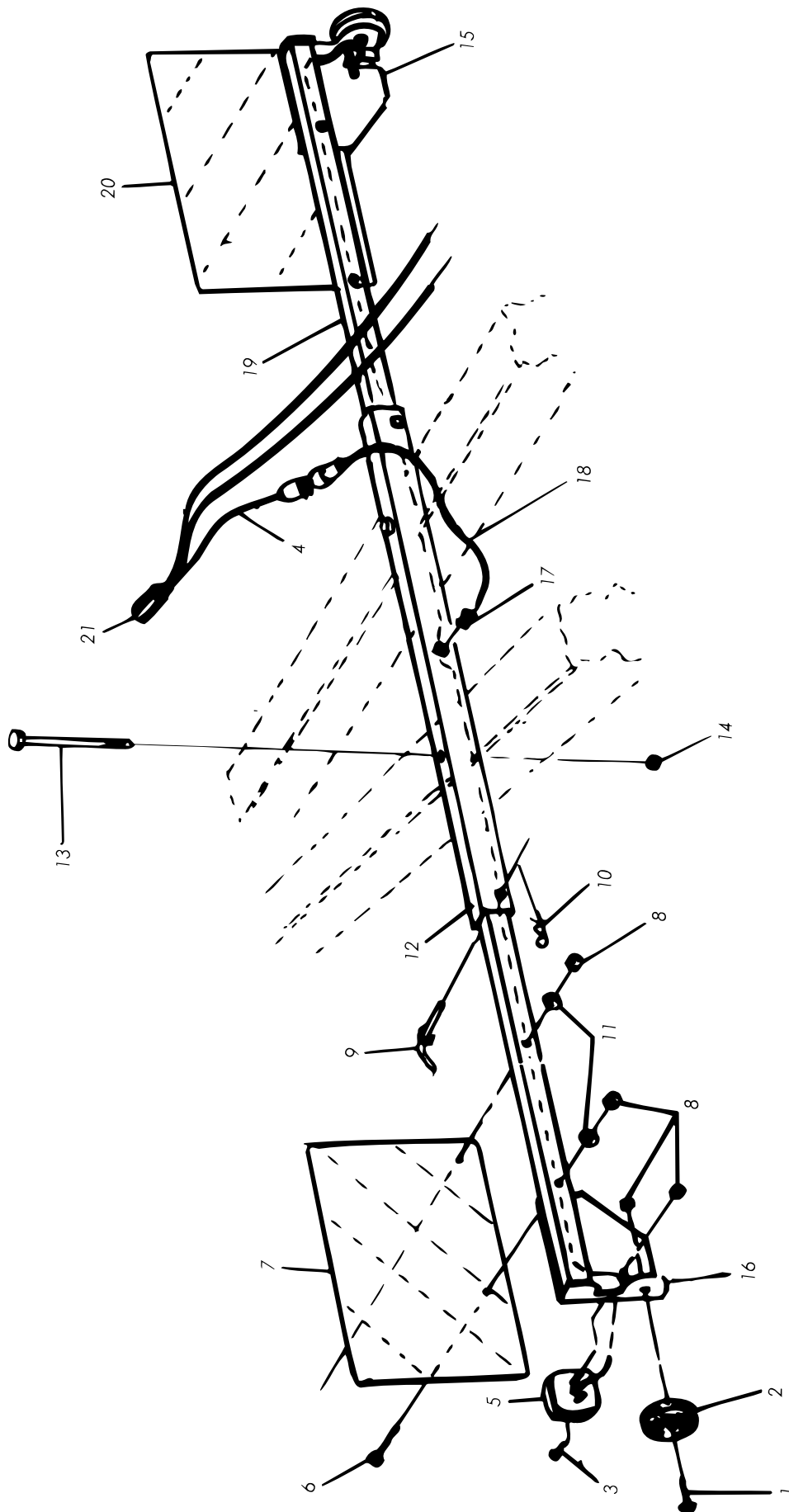


Fig. / Abb. 11

**Belysning, främre**  
**Lighting, front**  
**Beleuchtung, vordere**

CR 1025-1225

| Pos | No.         | Svenska                       | English                                   | Deutsch                                 | Dim               |
|-----|-------------|-------------------------------|---|---|-------------------|
| 1   | 50130602071 | Skruv                         | Screw                                     | Schraube                                | M6x20             |
| 2   | 307393      | Reflex, gul                   | Reflex, yellow                            | Reflex, gelb                            |                   |
| 3   | 50000602021 | Skruv                         | Screw                                     | Schraube                                | M6x20             |
| 4   | 433004      | Skarvkabel med kontakt<br>don | Extension cable with contact<br>implement | Zwischenkabel mit<br>kontaktvorrichtung |                   |
| 5   | 307395      | Positionslys                  | Positions light                           | Positionslicht                          |                   |
| 5   | 307396      | Glödlampa, positionslys       | Bulb, positions light                     | Glühbirne, Positionslicht               |                   |
| 6   | 50000606021 | Skruv                         | Screw                                     | Schraube                                | M6x60             |
| 7   | 307389      | Varningstavla                 | Warning board                             | Warntafel                               | REAR RH,<br>FR LH |
| 8   | 51010600021 | Låsmutter                     | Lock nut                                  | Sicherungsmutter                        | M6                |
| 9   | 400524      | Låssprint                     | Locking pin                               | Arretierstift                           | Ø12,7x67          |
| 10  | 401762      | Låsnål                        | R-clip                                    | Arretierstift                           | 3,5 mm            |
| 11  | 52000600041 | Bricka                        | Washer                                    | Scheibe                                 | M6                |
| 12  | 444657      | Fyrkantrör                    | Square tube                               | Vierkant rohr                           |                   |
| 13  | 50001208021 | Skruv                         | Screw                                     | Schraube                                | M12x80            |
| 14  | 51011200021 | Låsmutter                     | Lock nut                                  | Sicherungsmutter                        | M12               |
| 15  | 428622      | Plåt                          | Plate                                     | Blech                                   | RH                |
| 16  | 428621      | Plåt                          | Plate                                     | Blech                                   | LH                |
| 17  | 428625      | Bussning                      | Bushing                                   | Buchse                                  |                   |
| 18  | 446900      | Kablage                       | Cable harness                             | Kabel                                   |                   |
| 19  | 428620      | Rör                           | Tube                                      | Rohr                                    |                   |
| 20  | 307388      | Varningstavla                 | Warning board                             | Warntafel                               | REAR LH,<br>FR RH |
| 21  | 429694      | Stickkontakt                  | Plug                                      | Steckkontakt                            |                   |

Fig. / Abb. 12

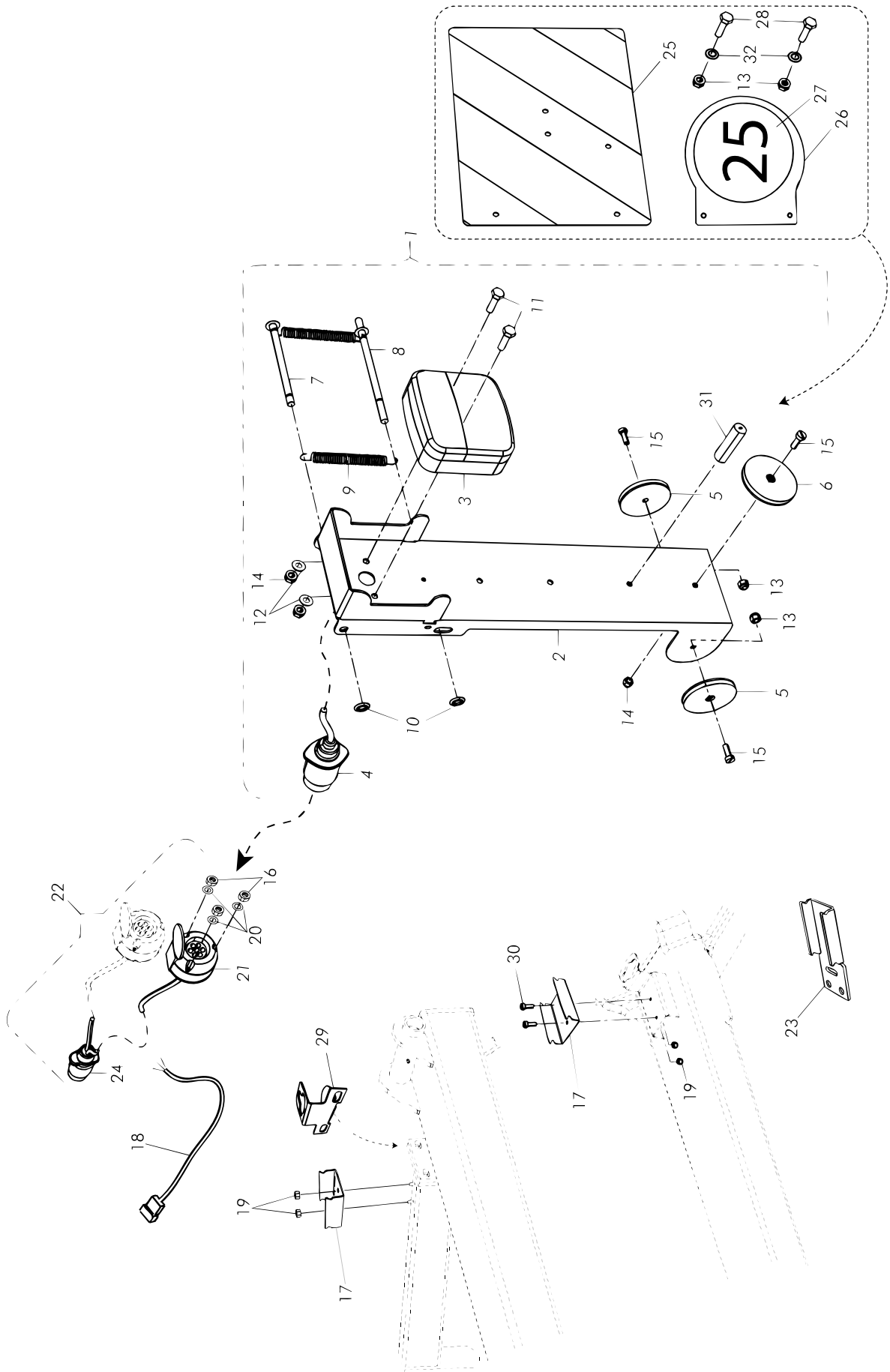


Fig. / Abb. 12

**Belysning, bakre**  
**Lighting, rear**  
**Beleuchtung, hinten**

**CR 1025-1225**  
**5141-**

| Pos | No.         | Svenska                   | English                                | Deutsch                              | Dim               |       |
|-----|-------------|---------------------------|--|--------------------------------------|-------------------|-------|
| 1   | 451306      | Belysning                 | Lighting                               | Beleuchtung                          | ASSY              |       |
| 2   | 451308      | Plåt                      | Plate                                  | Blech                                |                   |       |
| 3   | 450596      | Bakljus                   | Rear Lights                            | Rücklicht                            | ASSY              |       |
| 3   | 446695      | Bakljusglas               | Rear lights glass                      | Rücklichtglas                        |                   |       |
| 3   | 413499      | Glödlampa                 | Bulb                                   | Glühbirne                            | 12 V, 10 W        |       |
| 3   | 413339      | Glödlampa                 | Bulb                                   | Glühbirne                            | 12 V, 21/5 W      |       |
| 4   | 429694      | Stickkontakt              | Plug                                   | Steckkontakt                         |                   |       |
| 5   | 307393      | Reflex, gul               | Reflex, yellow                         | Reflex, gelb                         |                   |       |
| 6   | 307392      | Reflex, röd               | Reflex, red                            | Reflex, rot                          |                   |       |
| 7   | 451313      | Pinne                     | Pin                                    | Stift                                |                   |       |
| 8   | 451312      | Pinne                     | Pin                                    | Stift                                |                   |       |
| 9   | 451314      | Fjäder                    | Spring                                 | Feder                                |                   | 5057- |
| 9   | 458123      | Fjäder                    | Spring                                 | Feder                                |                   | -5056 |
| 10  | 451319      | Bricka                    | Washer                                 | Scheibe                              |                   |       |
| 11  | 50000602022 | Skruv                     | Screw                                  | Schraube                             | M6x20             |       |
| 12  | 52030600092 | Bricka                    | Washer                                 | Scheibe                              |                   |       |
| 13  | 51010600021 | Låsmutter                 | Lock nut                               | Sicherungsmutter                     | M6                |       |
| 14  | 51000600021 | Mutter                    | Nut                                    | Mutter                               | M6                |       |
| 15  | 50130601671 | Skruv                     | Screw                                  | Schraube                             | M6x16             |       |
| 16  | 51010500021 | Låsmutter                 | Lock nut                               | Sicherungsmutter                     | M5                |       |
| 17  | 451310      | Fäste                     | Bracket                                | Halter                               |                   |       |
| 18  | 433004      | Skarvkabel med kontaktdon | Extension cable with contact implement | Zwischenkabel mit kontaktvorrichtung |                   |       |
| 19  | 51010800021 | Låsmutter                 | Lock nut                               | Sicherungsmutter                     | M8                |       |
| 20  | 52000500041 | Bricka                    | Washer                                 | Scheibe                              | M5                |       |
| 21  | 451317      | Kontakt                   | Connector                              | Schalter                             |                   |       |
| 22  | 451318      | Kablage                   | Cable harness                          | Kabel                                |                   |       |
| 23  | 451311      | Fäste                     | Bracket                                | Halter                               |                   |       |
| 24  | 451316      | Kontakt                   | Connector                              | Schalter                             |                   |       |
| 25  | 307388      | Varningstavla             | Warning board                          | Warntafel                            | REAR LH,<br>FR RH |       |
| 25  | 307389      | Varningstavla             | Warning board                          | Warntafel                            | REAR RH,<br>FR LH |       |
| 26  | 421460      | Plåt                      | Plate                                  | Blech                                |                   |       |
| 27  | 421434      | Dekal "25 km/h"           | Decal "25 km/h"                        | Aufkleber "25 km/h"                  |                   |       |
| 28  | 50000602021 | Skruv                     | Screw                                  | Schraube                             | M6x20             |       |

Fig. / Abb. 13

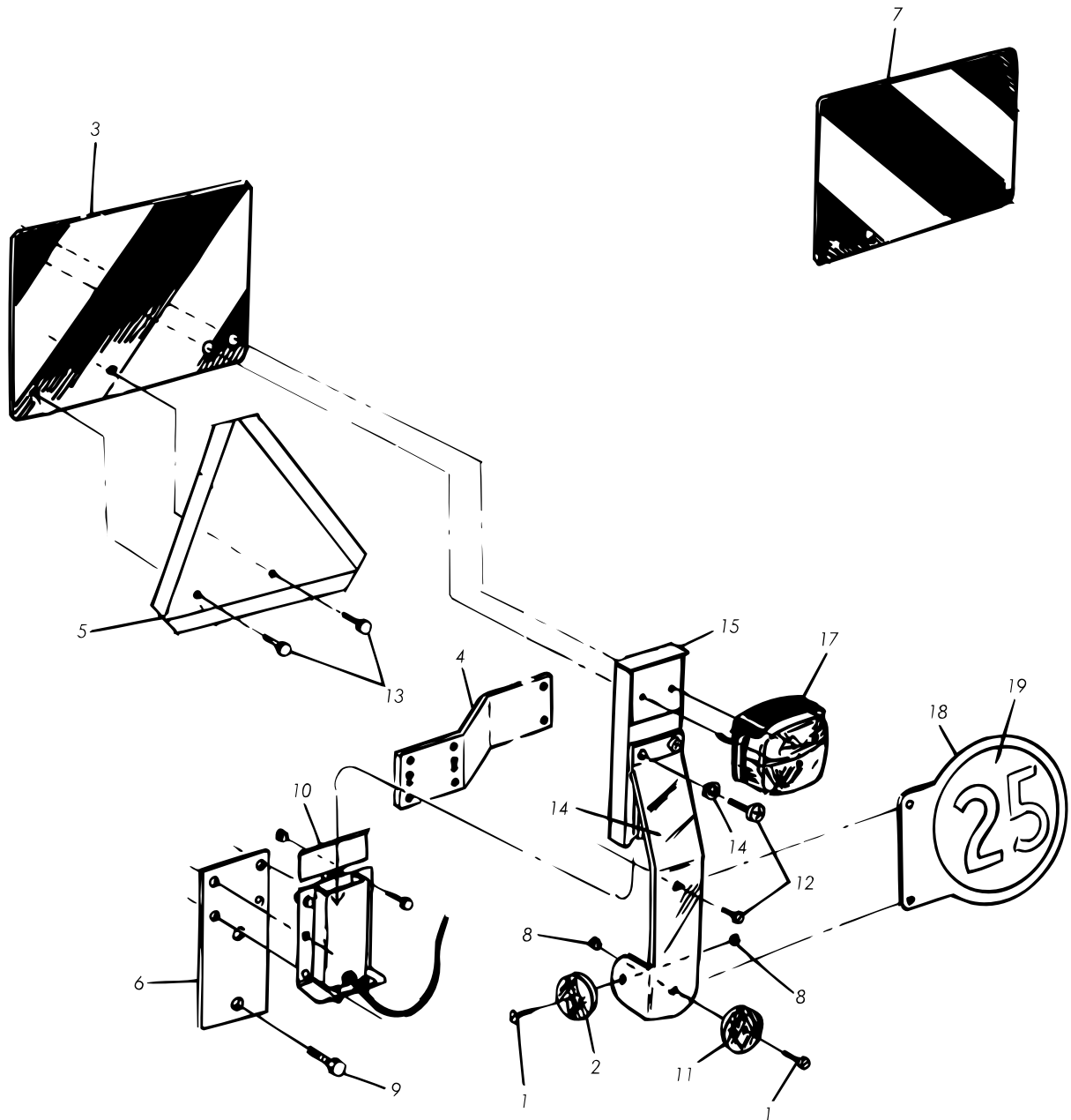


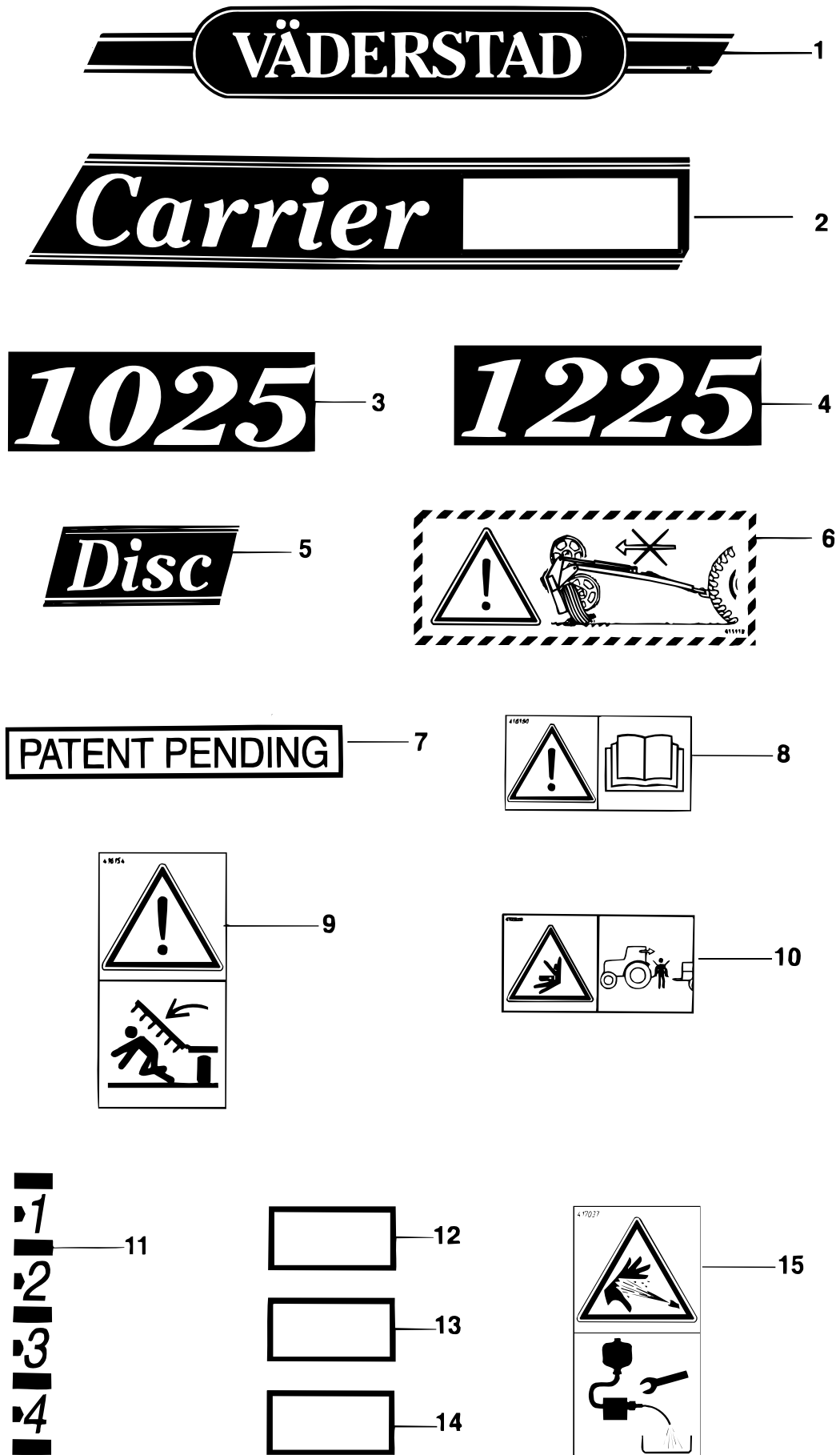


Fig. / Abb. 13

**Belysning, bakre**  
**Lighting, rear**  
**Beleuchtung, hinten**

**CR 1025-1225**  
**-5140**

| Pos | No.         | Svenska                        | English               | Deutsch                  | Dim               |
|-----|-------------|--------------------------------|-----------------------|--------------------------|-------------------|
| 1   | 50130602071 | Skruv                          | Screw                 | Schraube                 | M6x20             |
| 2   | 307393      | Reflex, gul                    | Reflex, yellow        | Reflex, gelb             | REAR LH,<br>FR RH |
| 3   | 307388      | Varningstavla                  | Warning board         | Warntafel                |                   |
| 4   | 427956      | Fäste                          | Bracket               | Halterung                |                   |
| 5   | 422663      | Plåt LGF-skylt                 | Plate, "slow vehicle" | Blech, Warndreieck       |                   |
| 5   | 413376      | Dekal, "Långsamtgående fordon" | Decal, "Slow vehicle" | Aufkleber, "Warndreieck" | 400x350           |
| 6   | 427958      | Fästplatta                     | Mounting plate        | Befestigungseisen        | REAR RH,<br>FR LH |
| 7   | 307389      | Varningstavla                  | Warning board         | Warntafel                |                   |
| 8   | 51010600021 | Låsmutter                      | Lock nut              | Sicherungsmutter         | M6                |
| 9   | 50001201621 | Skruv                          | Screw                 | Schraube                 | M12x16            |
| 10  | 440932      | Anslutningsdosa                | Contact box           | Anschlussdose            | LH                |
| 10  | 440933      | Anslutningsdosa                | Contact box           | Anschlussdose            | RH                |
| 11  | 307392      | Reflex, röd                    | Reflex, red           | Reflex, rot              |                   |
| 12  | 50150501621 | Skruv                          | Screw                 | Schraube                 | M5x16             |
| 13  | 50000604021 | Skruv                          | Screw                 | Schraube                 | M6x40             |
| 14  | 428533      | Fäste                          | Bracket               | Halterung                | LH                |
| 14  | 428534      | Fäste                          | Bracket               | Halterung                | RH                |
| 15  | 52040500091 | Låsbricka                      | Lock washer           | Sicherungsscheibe        | TO                |
| 16  | 430396      | Insticksarmatur                | Entry armature        | Steckarmatur             | LH                |
| 16  | 430397      | Insticksarmatur                | Entry armature        | Steckarmatur             | RH                |
| 17  | 429678      | Bakljus                        | Rear lights           | Rücklicht                | ASSY              |
| 17  | 413499      | Glödlampa                      | Bulb                  | Glühbirne                | 12 V, 10 W        |
| 17  | 413339      | Glödlampa                      | Bulb                  | Glühbirne                | 12 V, 21/5 W      |
| 17  | 446517      | Bakljusglas                    | Rear lights glass     | Rücklichtglas            |                   |
| 18  | 421460      | Plåt                           | Plate                 | Blech                    |                   |
| 19  | 421434      | Dekal "25 km/h"                | Decal "25 km/h"       | Aufkleber "25 km/h"      |                   |



**Dekaler  
Decals  
Aufklaber**

CR 1025-1225

| Pos | No.    | Svenska            | English                 | Deutsch                      | Dim               |
|-----|--------|--------------------|-------------------------|------------------------------|-------------------|
| 1   | 410533 | Dekal "Väderstad"  | Decal "Väderstad"       | Aufkleber "Väderstad"        | 850x130<br>490x70 |
| 1   | 411128 | Dekal "Väderstad"  | Decal "Väderstad"       | Aufkleber "Väderstad"        |                   |
| 2   | 430213 | Dekal "Carrier"    | Decal "Carrier"         | Aufklaber "Carrier"          |                   |
| 3   | 446824 | Dekal              | Decal                   | Aufkleber                    |                   |
| 4   | 446825 | Dekal              | Decal                   | Aufkleber                    |                   |
| 5   | 422341 | Dekal "Disc"       | Decal "Disc"            | Aufkleber "Disc"             | 160x65            |
| 6   | 411119 | Varningsdekal      | Warning decal           | Warnungs-Aufkleber           |                   |
| 7   | 446585 | Dekal              | Decal                   | Aufkleber                    |                   |
| 8   | 416150 | Varningsdekal      | Warning decal           | Warnungs-Aufkleber           |                   |
| 9   | 416154 | Varningsdekal      | Warning decal           | Warnungs-Aufkleber           |                   |
| 10  | 432526 | Varningsdekal      | Warning decal           | Warnungs-Aufkleber           |                   |
| 11  | 423316 | Dekal, "Djupskala" | Decal, "Depth scale"    | Aufkleber, "Tiefenskala"     |                   |
| 12  | 417492 | Reflextejp, vit    | Reflection tape, white  | Reflex-Klebestreifen, weiß   |                   |
| 13  | 417490 | Reflextejp, orange | Reflection tape, orange | Reflex-Klebestreifen, orange |                   |
| 14  | 417491 | Reflextejp, röd    | Reflection tape, red    | Reflex-Klebestreifen, rot    |                   |
| 15  | 417037 | Varningsdekal      | Warning decal           | Warnungs-Aufkleber           |                   |

Fig. / Abb. 15

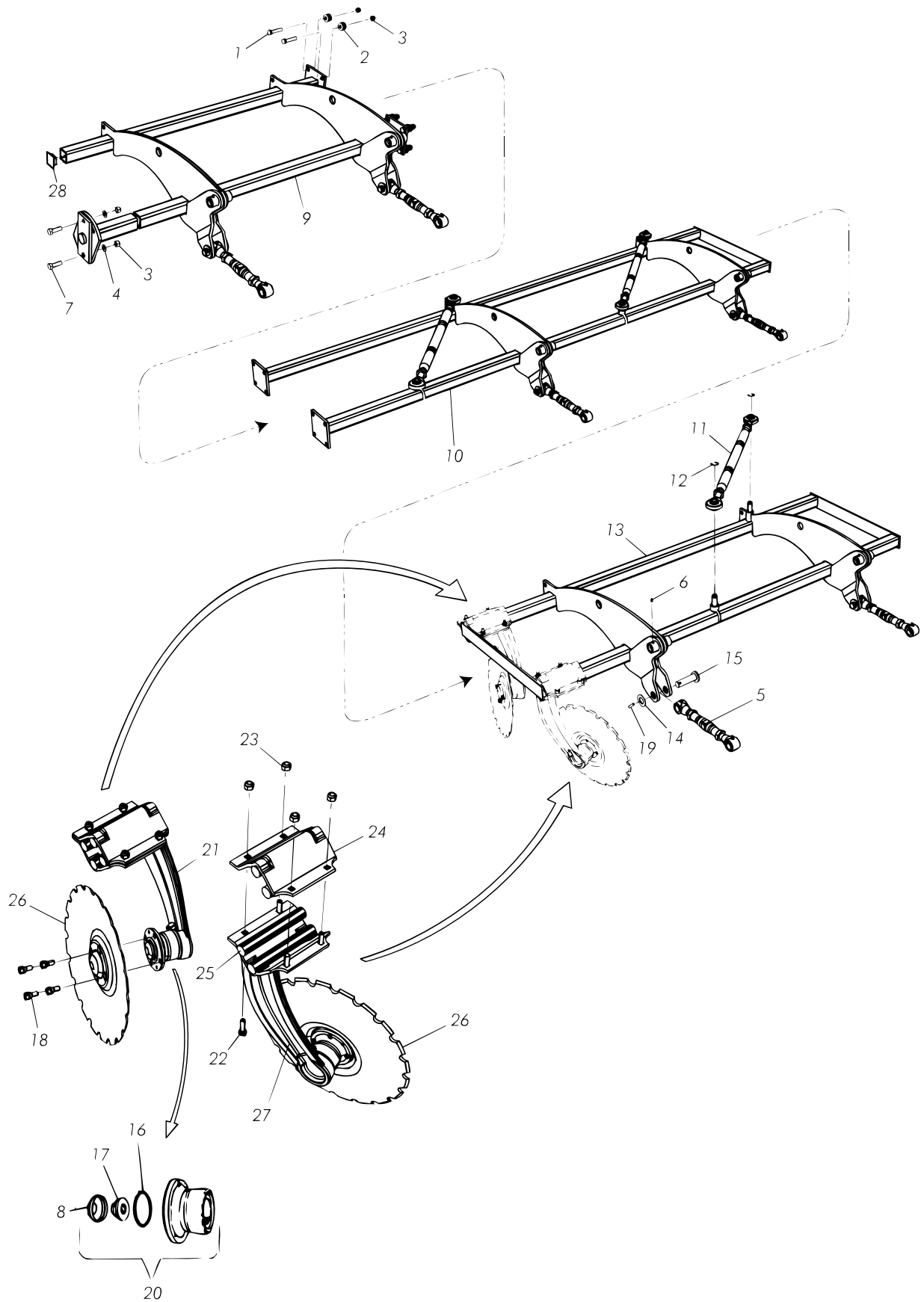


Fig. / Abb. 15

System Disc  
System Disc  
System Disc

CR 1025-1225  
4 100-

| Pos | No.         | Svenska       | English            | Deutsch           | Dim             |         |
|-----|-------------|---------------|--------------------|-------------------|-----------------|---------|
| 1   | 50001607021 | Skruv         | Screw              | Schraube          | M16x70          |         |
| 2   | 52061600091 | Spännbricka   | Spring washer      | Spannscheibe      | M16             |         |
| 3   | 51021600021 | Låsmutter     | Lock nut           | Sicherungsmutter  | M16             |         |
| 4   | 52001600041 | Bricka        | Washer             | Scheibe           | M16             |         |
| 5   | 444776      | Tryckstång    | Push rod           | Druckstange       | ASSY            |         |
| 6   | 407661      | Smörjnippel   | Lubricating nipple | Schmiernippel     | ST, M8          |         |
| 7   | 50001604511 | Skruv         | Screw              | Schraube          | M16x45          |         |
| 8   | 424916      | Plastkåpa     | Plastic cap        | Kunstglaswanne    |                 |         |
| 9   | 451230      | Ram           | Frame              | Rahmen            | OUT, LH         | CR 1025 |
| 9   | 451232      | Ram           | Frame              | Rahmen            | OUT, RH         | CR 1025 |
| 9   | 451234      | Ram           | Frame              | Rahmen            | OUT, LH         | CR 1225 |
| 9   | 451236      | Ram           | Frame              | Rahmen            | OUT, RH         | CR 1225 |
| 10  | 451226      | Ram           | Frame              | Rahmen            | LH              |         |
| 10  | 451228      | Ram           | Frame              | Rahmen            | RH              |         |
| 11  | 444775      | Tryckstång    | Push rod           | Druckstange       |                 |         |
| 12  | 54021900091 | Spärryttare   | Circlip            | Springring        | RS19            |         |
| 13  | 451224      | Ram           | Frame              | Rahmen            | CR              |         |
| 14  | 52003000041 | Bricka        | Washer             | Scheibe           | M30             |         |
| 15  | 451564      | Sprint        | Pin                | Splint            |                 |         |
| 16  | 424961      | O-ring        | O-ring             | Runddichtring     |                 |         |
| 17  | 428550      | Mutter        | Nut                | Mutter            | M22x1,5         |         |
| 18  | 424928      | Skruv, konisk | Screw, tapered     | Schraube, konisch | M12x1,25        |         |
| 19  | 53011005091 | Spännstift    | Lock pin           | Spannstift        |                 |         |
| 20  | 440488      | Hubb          | Hub                | Hub               | ASSY            |         |
| 21  | 450911      | Tallriksarm   | Disc arm           | Scheibe arm       | FR              |         |
| 22  | 428571      | Vagnsbult     | Carriage bolt      | Bolzen            | M12x42,<br>10.9 |         |
| 23  | 51011200021 | Låsmutter     | Lock nut           | Sicherungsmutter  | M12             |         |
| 24  | 307168      | Överfall      | Cover              | Führungsplatte    | 200 mm          |         |
| 25  | 411746      | Gummistav     | Rubber rod         | Gummistab         | L=205 mm        |         |
| 26  | 444687      | Tallrik       | Disc               | Scheibe           | Ø432 mm         |         |
| 27  | 450912      | Tallriksarm   | Disc arm           | Scheibe arm       | REAR            |         |
| 28  | 458603      | Plugg         | Plug               | Pfropfen          |                 |         |

Fig. / Abb. 16

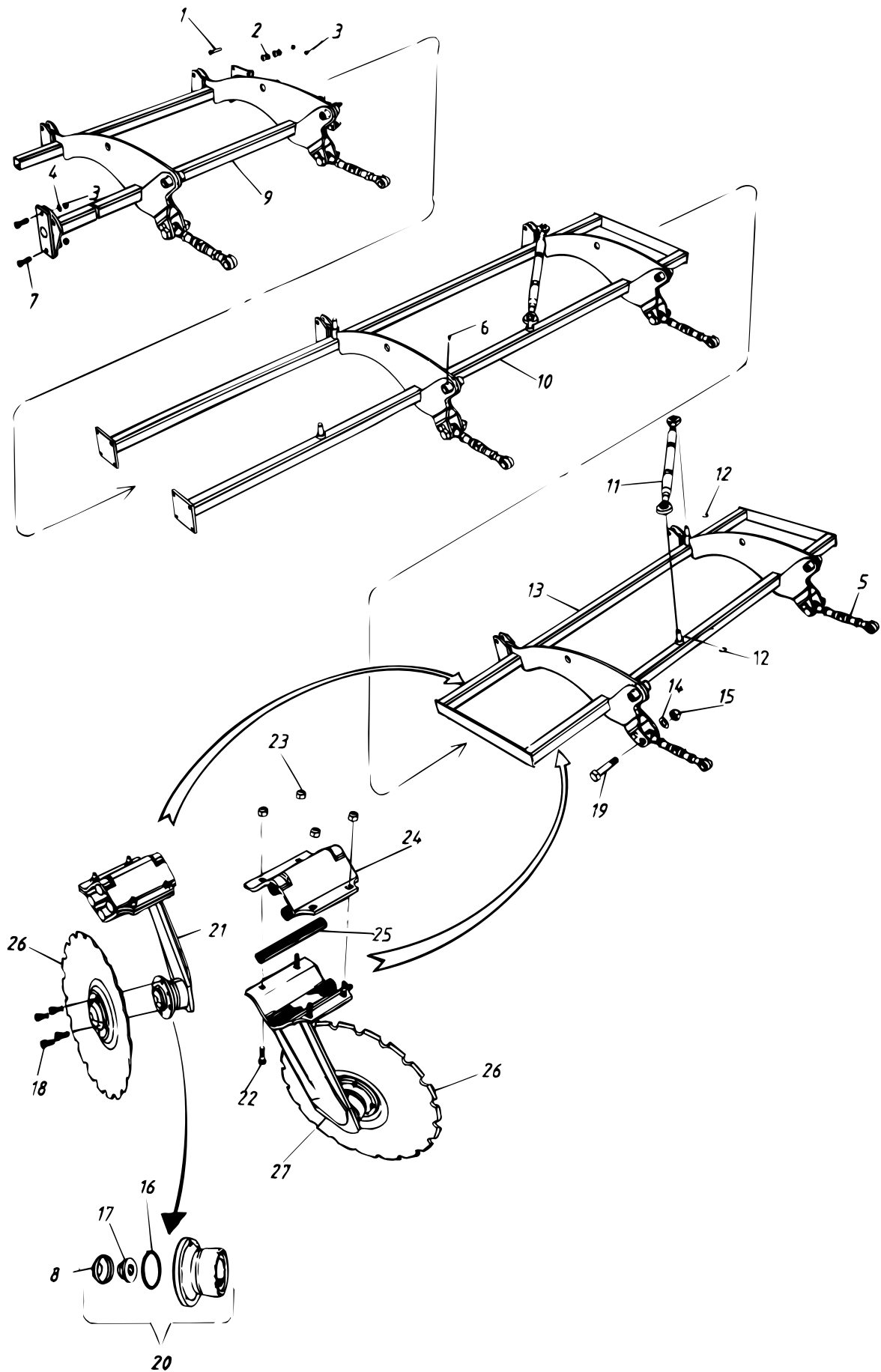


Fig. / Abb. 16

System Disc  
System Disc  
System Disc

CR 1025-1225  
-4 099

| Pos | No.         | Svenska       | English            | Deutsch           | Dim             |         |
|-----|-------------|---------------|--------------------|-------------------|-----------------|---------|
| 1   | 50001607021 | Skruv         | Screw              | Schraube          | M16x70          |         |
| 2   | 52061600091 | Spännbricka   | Spring washer      | Spannscheibe      | M16             |         |
| 3   | 51021600021 | Låsmutter     | Lock nut           | Sicherungsmutter  | M16             |         |
| 4   | 52001600041 | Bricka        | Washer             | Scheibe           | M16             |         |
| 5   | 444776      | Tryckstång    | Push rod           | Druckstange       | ASSY            |         |
| 6   | 407661      | Smörjnippel   | Lubricating nipple | Schmiernippel     | ST, M8          |         |
| 7   | 50001604511 | Skruv         | Screw              | Schraube          | M16x45          |         |
| 8   | 424916      | Plastkåpa     | Plastic cap        | Kunstglaswanne    |                 |         |
| 9   | 443052      | Ram           | Frame              | Rahmen            | OUT, LH         | CR 1225 |
| 9   | 443071      | Ram           | Frame              | Rahmen            | OUT, RH         | CR 1225 |
| 9   | 446470      | Ram           | Frame              | Rahmen            | OUT, LH         | CR 1025 |
| 9   | 446473      | Ram           | Frame              | Rahmen            | OUT, RH         | CR 1025 |
| 10  | 443041      | Ram           | Frame              | Rahmen            | LH              |         |
| 10  | 443063      | Ram           | Frame              | Rahmen            | RH              |         |
| 11  | 444775      | Tryckstång    | Push rod           | Druckstange       |                 |         |
| 12  | 54021900091 | Spärryttare   | Circlip            | Springring        | RS19            |         |
| 13  | 443039      | Ram           | Frame              | Rahmen            | CR              |         |
| 14  | 52003000041 | Bricka        | Washer             | Scheibe           | M30             |         |
| 15  | 51023000011 | Låsmutter     | Lock nut           | Sicherungsmutter  | M30             |         |
| 16  | 424961      | O-ring        | O-ring             | Runddichtring     |                 |         |
| 17  | 428550      | Mutter        | Nut                | Mutter            | M22x1,5         |         |
| 18  | 424928      | Skruv, konisk | Screw, tapered     | Schraube, konisch | M12x1,25        |         |
| 19  | 432660      | Skruv         | Screw              | Schraube          | M30x123         |         |
| 20  | 440488      | Hubb          | Hub                | Hub               | ASSY            |         |
| 21  | 433627      | Tallriksarm   | Disc arm           | Scheibenarm       | FR              |         |
| 22  | 428571      | Vagnsbult     | Carriage bolt      | Bolzen            | M12x42,<br>10.9 |         |
| 23  | 51011200021 | Låsmutter     | Lock nut           | Sicherungsmutter  | M12             |         |
| 24  | 307168      | Överfall      | Cover              | Führungsplatte    | 200 mm          |         |
| 25  | 411746      | Gummistav     | Rubber rod         | Gummistab         | L=205 mm        |         |
| 26  | 444687      | Tallrik       | Disc               | Scheibe           | Ø432 mm         |         |
| 27  | 433628      | Tallriksarm   | Disc arm           | Scheibenarm       | REAR            |         |

Fig. / Abb. 17

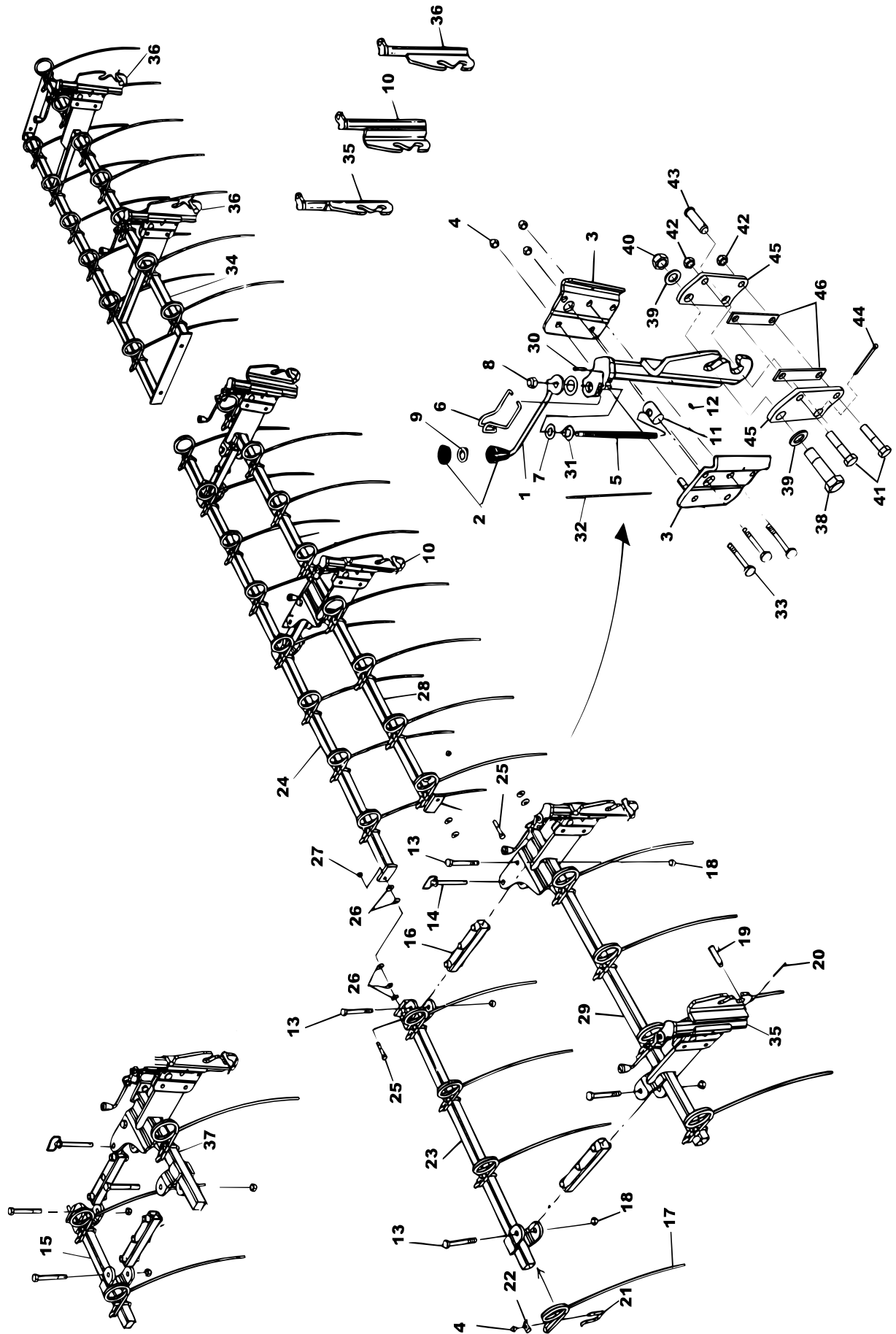




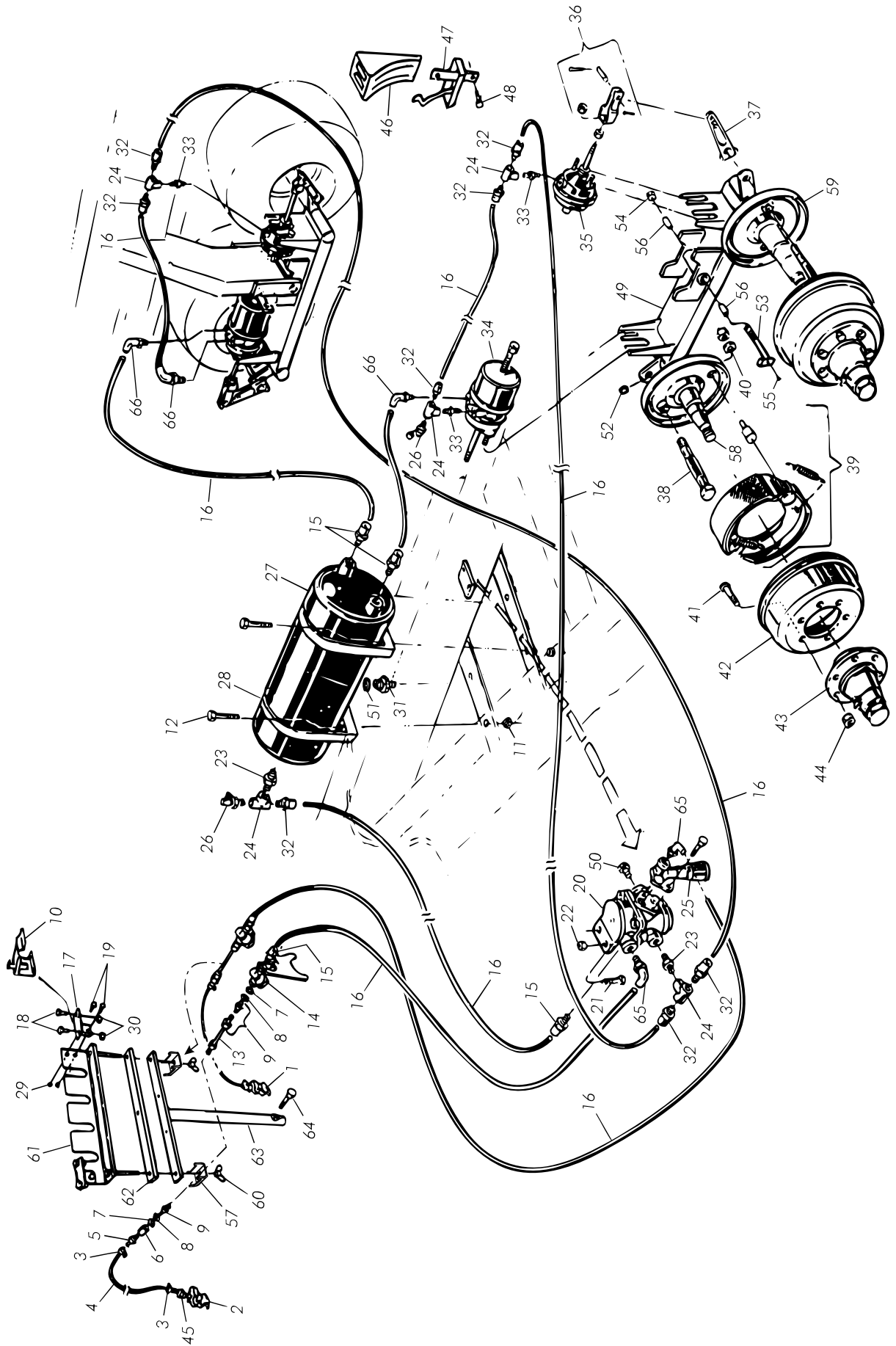
Fig. / Abb. 17

**Halmharv  
Straw harrow  
Strohstriegel**

CR 1025-1225

| Pos | No.         | Svenska               | English               | Deutsch                     | Dim          |         |
|-----|-------------|-----------------------|-----------------------|-----------------------------|--------------|---------|
| 1   | 427557      | Vev                   | Crank                 | Kurbel                      |              |         |
| 2   | 427558      | Kula                  | Ball                  | Kugel                       |              |         |
| 3   | 427500      | Plåt                  | Plate                 | Blech                       |              |         |
| 4   | 51011400021 | Låsmutter             | Lock nut              | Sicherungsmutter            | M14, Nyloc   |         |
| 5   | 427533      | Gängstång             | Threaded bar          | Gewindestange               |              |         |
| 6   | 427555      | Bygel                 | Clamp                 | Bügel                       |              |         |
| 7   | 427534      | Bricka                | Washer                | Scheibe                     |              |         |
| 8   | 51011200021 | Låsmutter             | Lock nut              | Sicherungsmutter            | M12          |         |
| 9   | 427559      | Bricka                | Washer                | Scheibe                     |              |         |
| 10  | 427561      | Fäste                 | Bracket               | Halterung                   |              |         |
| 10  | 427541      | Fäste                 | Bracket               | Halterung                   | ASSY         |         |
| 11  | 405717      | Ledmutter, höergångad | Toggle nut, RH thread | Gelenkmutter, Rechtsgewinde |              |         |
| 12  | 407661      | Smörjnippel           | Lubricating nipple    | Schmiernippel               | ST, M8       |         |
| 13  | 50002015021 | Skruv                 | Screw                 | Schraube                    | M20x150      |         |
| 14  | 445864      | Sprint                | Pin                   | Splint                      |              |         |
| 15  | 446481      | Ram, ytter            | Frame, outer          | Rahmen, Flügel              | REAR, RH     | CR 1025 |
| 15  | 446482      | Ram, ytter            | Frame, outer          | Rahmen, Flügel              | FR, RH       | CR 1025 |
| 16  | 444815      | Arm                   | Arm                   | Arm                         |              |         |
| 17  | 427497      | Pinne                 | Tine                  | Zinken                      |              |         |
| 18  | 51022000021 | Låsmutter             | Lock nut              | Sicherungsmutter            | M20          |         |
| 19  | 422328      | Sprint                | Pin                   | Splint                      |              |         |
| 20  | 406918      | Saxpinne              | Split pin             | Hohlstift                   | Ø6.3x71      |         |
| 21  | 427495      | Krampa                | Clamp                 | Krampe                      |              |         |
| 22  | 427494      | Bricka                | Washer                | Scheibe                     |              |         |
| 23  | 444809      | Ram, ytter            | Frame, outer          | Rahmen, Flügel              | FR, LH       | CR 1225 |
| 23  | 444810      | Ram, ytter            | Frame, outer          | Rahmen, Flügel              | FR, RH       | CR 1225 |
| 24  | 444805      | Ram                   | Frame                 | Rahmen                      | CR, FR, LH   |         |
| 24  | 444806      | Ram                   | Frame                 | Rahmen                      | CR, FR, RH   |         |
| 25  | 50001608021 | Skruv                 | Screw                 | Schraube                    | M16x80       |         |
| 26  | 52061600091 | Spännbricka           | Spring washer         | Spannscheibe                | M16          |         |
| 27  | 51021600021 | Låsmutter             | Lock nut              | Sicherungsmutter            | M16          |         |
| 28  | 444803      | Ram                   | Frame                 | Rahmen                      | CR, REAR, LH | CR 1225 |
| 29  | 444807      | Ram                   | Frame                 | Rahmen                      |              | CR 1225 |
| 30  | 53000603091 | Spännstift            | Roll pin              | Spannstift                  | Ø6x30        |         |
| 31  | 427535      | Bricka                | Washer                | Scheibe                     |              |         |
| 32  | 427527      | Skala                 | Scale                 | Skala                       |              |         |
| 33  | 415705      | Skruv                 | Screw                 | Schraube                    | M14          |         |
| 34  | 443437      | Ram                   | Frame                 | Rahmen                      |              |         |
| 35  | 427560      | Fäste                 | Bracket               | Halterung                   |              |         |
| 35  | 427540      | Fäste                 | Bracket               | Halterung                   | ASSY         |         |
| 36  | 427562      | Fäste                 | Bracket               | Halterung                   |              |         |
| 36  | 427554      | Fäste                 | Bracket               | Halterung                   | ASSY         |         |
| 37  | 446476      | Ram, ytter            | Frame, outer          | Rahmen, Flügel              | REAR, LH     | CR 1025 |
| 37  | 446478      | Ram, ytter            | Frame, outer          | Rahmen, Flügel              | FR, LH       | CR 1025 |
| 38  | 415184      | Skruv                 | Screw                 | Schraube                    | M24x85, 10.9 |         |
| 39  | 52002400041 | Bricka                | Washer                | Scheibe                     | M24          |         |
| 40  | 51022400021 | Låsmutter             | Lock nut              | Sicherungsmutter            | M24          |         |
| 41  | 50001607021 | Skruv                 | Screw                 | Schraube                    | M16x70       |         |
| 42  | 51021600021 | Låsmutter             | Lock nut              | Sicherungsmutter            | M16          |         |
| 43  | 422328      | Sprint                | Pin                   | Splint                      |              |         |
| 44  | 406918      | Saxpinne              | Split pin             | Hohlstift                   | Ø6.3x71      |         |
| 45  | 452277      | Plåt                  | Plate                 | Blech                       |              |         |
| 46  | 452278      | Distans               | Spacer                | Distanz                     |              |         |

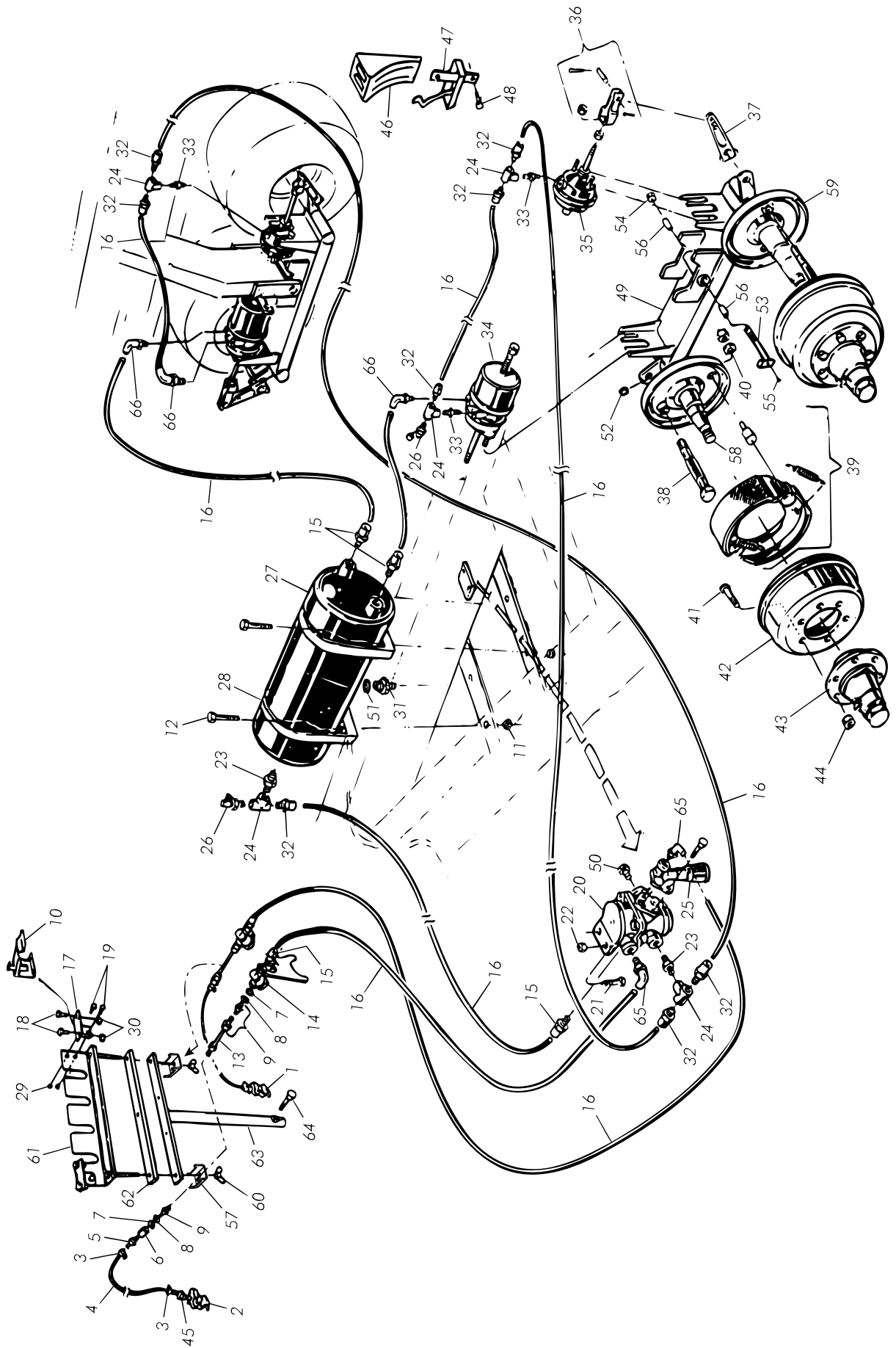
Fig. / Abb. 18



**Luftbromsar**  
**Pneumatic brakes**  
**Luftbremsen**

| Pos | No.         | Svenska                            | English                           | Deutsch                       | Dim              |
|-----|-------------|------------------------------------|-----------------------------------|-------------------------------|------------------|
| 1   | 419500      | Kopplingsnäve matarledning (röd)   | Socket for feed tube (red)        | Anschluß Zufuhrleitung (rot)  |                  |
| 2   | 419501      | Kopplingsnäve manöverledning (gul) | Socket for controls hose (yellow) | Anschluß Zufuhrleitung (gelb) |                  |
| 3   | 419540      | Slangklämma                        | Hose clamp                        | Schlauchschele                |                  |
| 4   | 419523      | Tryckluftslang                     | Air hose                          | Druckluftschlauch             | L=2,8 m          |
| 5   | 419528      | Slangnippel                        | Hose nipple                       | Schlauchnippel                | M22x1,5-11x3,5   |
| 6   | 419543      | Muff                               | Sleeve                            | Muffe                         | M22              |
| 7   | 419544      | O-ring                             | O-ring                            | Runddichtring                 |                  |
| 8   | 419545      | Stödtring                          | Stay ring                         | Stützring                     |                  |
| 9   | 419526      | Rörkoppling                        | Pipe fitting                      | Rohranschluß                  |                  |
| 10  | 419513      | Blindkoppling                      | Blind connection                  | Blindniete                    |                  |
| 11  | 51011000021 | Låsmutter                          | Lock nut                          | Sicherungsmutter              | M10              |
| 12  | 50001002521 | Skruv                              | Screw                             | Schraube                      | M10x25           |
| 13  | 419542      | Hydraulrör                         | Hydraulic tubing                  | Hydraulikrohr                 | Ø12x150          |
| 14  | 419502      | Ledningsfilter                     | Pipe filter                       | Leitungsfilter                |                  |
| 15  | 451001      | Koppling                           | Coupling                          | Kupplung                      | M22x1,5 - 10x1,5 |
| 16  | 609165      | Plastslang, metervara              | Plastic tubing, per metre         | Kunststoffschlauch, Meterware |                  |
| 17  | 431294      | Fäste                              | Bracket                           | Halterung                     |                  |
| 18  | 50000801621 | Skruv                              | Screw                             | Schraube                      | M8x16            |
| 19  | 50000601221 | Skruv                              | Screw                             | Schraube                      | M6x12            |
| 20  | 419503      | Bromsventil                        | Brake valve                       | Bremsventil                   |                  |
| 21  | 50011004021 | Skruv                              | Screw                             | Schraube                      | M10x40           |
| 22  | 51011000021 | Låsmutter                          | Lock nut                          | Sicherungsmutter              | M10              |
| 23  | 419536      | Adapter                            | Adapter                           | Adapter                       | M22x1,5          |
| 24  | 419537      | T-rör                              | T-tube                            | T-Rohr                        | M16x1,5          |
| 25  | 422684      | Rangerventil                       | Valve                             | Ventil                        |                  |
| 26  | 419512      | Provförskruvning                   | Test screw                        | Probeverschraubung            | M16x1,5          |
| 27  | 422686      | Lufttank                           | Air tank                          | Lufttank                      |                  |
| 28  | 422688      | Tank fäste                         | Tank fixings                      | Tankbefestigung               |                  |
| 29  | 51010600021 | Låsmutter                          | Lock nut                          | Sicherungsmutter              | M6               |
| 30  | 51010800021 | Låsmutter                          | Lock nut                          | Sicherungsmutter              | M8               |
| 31  | 419506      | Avtappningsventil                  | Bleed valve                       | Ablaßventil                   |                  |
| 32  | 450999      | Koppling                           | Coupling                          | Kupplung                      | M16x1,5 - 10x1,5 |
| 33  | 422683      | Adapter                            | Adapter                           | Adapter                       |                  |
| 34  | 422690      | Fjäderbromscyliner                 | Spring brake ram                  | Federbremszylinder            |                  |
| 35  | 422692      | Bromscyliner                       | Brake ram                         | Bremszylinder                 |                  |
| 36  | 422694      | Gaffellänksats                     | Fork batch                        | Gabelstück satz               |                  |
| 37  | 422281      | Hävarm                             | Lever arm                         | Hebelarm                      |                  |
| 38  | 422283      | Nockaxel                           | Camshaft                          | Daumenwelle                   | Ø30x355          |
| 39  | 422285      | Bromsbackar                        | Brake shoes                       | Backenbremse                  | ASSY, 300x90     |
| 40  | 423725      | Tätning, nockaxel                  | Sealing, camshaft                 | Dichtung, Daumenwelle         |                  |
| 41  | 422287      | Fälgskruv                          | Rim screw                         | Felgenschraube                | M18x1.5          |
| 42  | 422284      | Bromstromma                        | Brake drum                        | Bremstrommel                  |                  |
| 43  | 422276      | Nav                                | Hub                               | Nabe                          | 196              |
| 44  | 408172      | Fälgmutter                         | Rim nut                           | Felgenmutter                  |                  |
| 45  | 419527      | Slangnippel                        | Hose nipple                       | Schlauchnippel                | M16x1,5-11x3,5   |
| 46  | 419317      | Underläggskil                      | Key                               | Keil                          |                  |
| 47  | 419338      | Fäste                              | Bracket                           | Halterung                     |                  |
| 48  | 50020601221 | Skruv, Tensilock                   | Screw, Tensilock                  | Schraube, Tensilock           | M6x12            |
| 49  | 421994      | Boggiställ                         | Bogie cradle                      | Radgestellswinge              | LH               |
| 49  | 421995      | Boggiställ                         | Bogie cradle                      | Radgestellswinge              | RH               |
| 50  | 419524      | Plugg                              | Plug                              | Stopfen                       | M22x1,5          |
| 51  | 419525      | Kopparbricka                       | Copper washer                     | Kupferscheibe                 |                  |
| 52  | 423759      | Tätning, nockaxel                  | Sealing, camshaft                 | Dichtung, Daumenwelle         |                  |
| 53  | 422338      | Ledbult                            | Pin bolt                          | Gelenkbolzen                  |                  |
| 54  | 51023000011 | Låsmutter                          | Lock nut                          | Sicherungsmutter              | M30              |
| 55  | 407661      | Smörjnippel                        | Lubricating nipple                | Schmiernippel                 | ST, M8           |
| 56  | 421814      | Lagring                            | Bearing                           | Lagerung                      |                  |
| 57  | 447239      | Krampa                             | Clamp                             | Krampe                        |                  |
| 58  | 421810      | Axeltapp                           | Stub axle                         | Achszapfen                    |                  |
| 59  | 423314      | Bromssköld                         | Back plate                        | Bremsschild                   |                  |
| 60  | 51050800021 | Vingmutter                         | Wing nut                          | Flügelmutter                  | M8               |

Fig. / Abb. 18

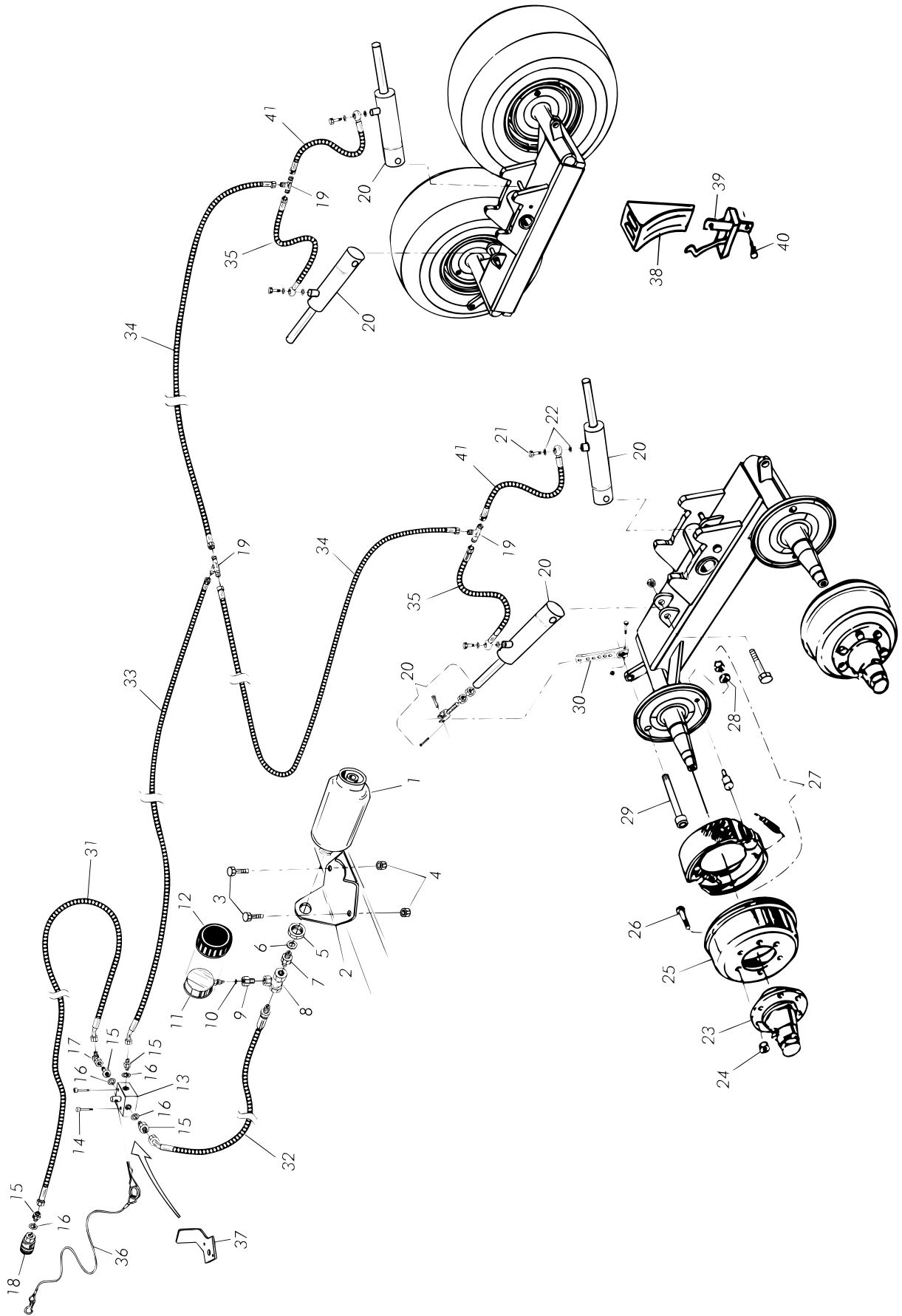


**Luftbromsar**  
**Pneumatic brakes**  
**Luftbremsen**

CR 1025-1225

| Pos | No.         | Svenska            | English           | Deutsch                       | Dim                 |
|-----|-------------|--------------------|-------------------|-------------------------------|---------------------|
| 61  | 427221      | Plåt, slanghållare | Plate, hose clamp | Blech, Schlauchhalterung      |                     |
| 62  | 427218      | Slanghållargummi   | Hose clamp rubber | Gummistück, Schlauchhalterung |                     |
| 63  | 427222      | Slanghållare       | Hose clamp        | Schlauchhalterung             |                     |
| 64  | 50000801221 | Skruv              | Screw             | Schraube                      | M8x12               |
| 65  | 451001      | Koppling           | Coupling          | Kupplung                      | M22x1,5 -<br>10x1,5 |
| 66  | 450999      | Koppling           | Coupling          | Kupplung                      | M16x1,5 -<br>10x1,5 |

Fig. / Abb. 19



**Hydraliska bromsar**  
**Hydraulic brakes**  
**Hydraulische Bremsen**

CR 1025-1225

| Pos | No.         | Svenska              | English                     | Deutsch                 | Dim                                     |
|-----|-------------|----------------------|-----------------------------|-------------------------|---|
| 1   | 450340      | Akkumulatör          | Accumulator                 | Akkumulatör             | 1,4 l, ASSY                             |
| 2   | 450182      | Fäste                | Bracket                     | Halter                  |   |
| 3   | 50001203021 | Skruv                | Screw                       | Schraube                | M12x30                                  |
| 4   | 51011200021 | Låsmutter            | Lock nut                    | Sicherungsmutter        | M12                                     |
| 5   | 428846      | Mutter               | Nut                         | Mutter                  |   |
| 6   | 402203      | Gummistålbricka      | Rubber steel washer         | Gummistahlscheibe       | 3/8"                                    |
| 7   | 401777      | Adapter              | Adapter                     | Adapter                 | 3/8"x3/8"                               |
| 8   | 450351      | T-Adapter            | T-Adapter                   | T-Adapter               | DI: R3/8" /<br>DI: R3/8" /<br>DI: R3/8" |
| 9   | 450350      | Adapter              | Adapter                     | Adapter                 | DO: R3/8" /<br>DI: R1/4"                |
| 10  | 415103      | Bricka               | Washer                      | Scheibe                 |   |
| 11  | 450348      | Manometer            | Pressure gauge              | Manometer               | 0-160 Bar                               |
| 12  | 450349      | Manometer gummiskydd | Pressure gauge rubber cover | Manometer Gummischutz   |   |
| 13  | 450339      | Katastrofbromsventil | Catastrophe brake valve     | Katastrohebremse Ventil |   |
| 14  | 50030604521 | Skruv                | Screw                       | Schraube                | M6x45, 8.8                              |
| 15  | 450329      | Adapter              | Adapter                     | Adapter                 | DO: R3/8" /<br>DO: M18                  |
| 16  | 450332      | Gummistålbricka      | Rubber steel washer         | Gummistahlscheibe       | M18                                     |
| 17  | 414651      | Adapter              | Adapter                     | Adapter                 | DO: R3/8" /<br>DI: 3/8"                 |
| 18  | 450353      | Bromssnabbkoppling   | Brake quick coupling        | Bremse Schnellkupplung  | ISO 5676<br>Female                      |
| 19  | 446180      | T-Adapter            | T-Adapter                   | T-Adapter               |   |
| 20  | 450338      | Hydraulcylinder      | Hydraulic ram               | Hydraulikzylinder       | ASSY                                    |
| 20  | 453357      | Hydraulcylinder      | Hydraulic ram               | Hydraulikzylinder       | ASSY                                    |
| 20  | 453358      | Gaffellänksats       | Fork batch                  | Gabelstück satz         |   |
| 21  | 406756      | Hålskruv             | Hole screw                  | Hohlschraube            | 3/8"                                    |
| 22  | 402203      | Gummistålbricka      | Rubber steel washer         | Gummistahlscheibe       | 3/8"                                    |
| 23  | 422276      | Nav                  | Hub                         | Nabe                    | 196                                     |
| 24  | 408172      | Fälgmutter           | Rim nut                     | Felgenmutter            |   |
| 25  | 422284      | Bromstrumma          | Brake drum                  | Bremstrommel            |   |
| 26  | 422287      | Fälgskruv            | Rim screw                   | Felgenschraube          | M18x1.5                                 |
| 27  | 422285      | Bromsbackar          | Brake shoes                 | Backenbremse            | ASSY,<br>300x90                         |
| 28  | 423759      | Tätning, nockaxel    | Sealing, camshaft           | Dichtung, Daumenwelle   |   |
| 29  | 422283      | Nockaxel             | Camshaft                    | Daumenwelle             | Ø30x355                                 |
| 30  | 422281      | Hävarm               | Lever arm                   | Hebelarm                |   |
| 31  | 450322      | Hydraulslang         | Hydraulic hose              | Hydraulikschlauch       | 3/8",<br>L=4000                         |
| 32  | 450323      | Hydraulslang         | Hydraulic hose              | Hydraulikschlauch       | 3/8",<br>L=1050                         |
| 33  | 450324      | Hydraulslang         | Hydraulic hose              | Hydraulikschlauch       | 3/8",<br>L=5700                         |
| 34  | 450325      | Hydraulslang         | Hydraulic hose              | Hydraulikschlauch       | 3/8",<br>L=3750                         |
| 35  | 454756      | Slang                | Hose                        | Schlauch                |   |
| 36  | 450334      | Katastrofbromslina   | Catastrophe brake line      | Katastrohebremse Seil   | ASSY                                    |
| 37  | 453446      | Monteringsbeslag     | Assembly fitting            | Montierhebel            |   |
| 38  | 419317      | Underläggskil        | Key                         | Keil                    |   |
| 39  | 419338      | Fäste                | Bracket                     | Halterung               |   |
| 40  | 50020601221 | Skruv, Tensilock     | Screw, Tensilock            | Schraube, Tensilock     | M6x12                                   |
| 41  | 450327      | Slang                | Hose                        | Schlauch                |   |





# INDEX

| No.    | Page no.                              | No.    | Page no.       | No.    | Page no. |
|--------|---------------------------------------|--------|----------------|--------|----------|
| 302657 | 11                                    | 419524 | 43             | 427221 | 9, 45    |
| 307168 | 37, 39                                | 419525 | 43             | 427222 | 9, 45    |
| 307388 | 29, 31, 33                            | 419526 | 43             | 427494 | 41       |
| 307389 | 29, 31, 33                            | 419527 | 43             | 427495 | 41       |
| 307392 | 31, 33                                | 419528 | 43             | 427497 | 41       |
| 307393 | 29, 31, 33                            | 419536 | 43             | 427500 | 41       |
| 307395 | 29                                    | 419537 | 43             | 427527 | 41       |
| 307396 | 29                                    | 419540 | 43             | 427533 | 41       |
| 400524 | 29                                    | 419542 | 43             | 427534 | 41       |
| 401029 | 9                                     | 419543 | 43             | 427535 | 41       |
| 401762 | 29                                    | 419544 | 43             | 427540 | 41       |
| 401773 | 21                                    | 419545 | 43             | 427541 | 41       |
| 401774 | 21                                    | 420650 | 21             | 427554 | 41       |
| 401776 | 21                                    | 420657 | 21             | 427555 | 41       |
| 401777 | 21, 47                                | 421292 | 21             | 427557 | 41       |
| 401789 | 21                                    | 421434 | 31, 33         | 427558 | 41       |
| 402202 | 21                                    | 421440 | 23, 25         | 427559 | 41       |
| 402203 | 21, 47                                | 421441 | 23, 25         | 427560 | 41       |
| 404557 | 23, 25                                | 421443 | 23, 25         | 427561 | 41       |
| 404712 | 23, 25                                | 421444 | 23, 25         | 427562 | 41       |
| 405080 | 9                                     | 421445 | 23, 25         | 427859 | 27       |
| 405717 | 41                                    | 421460 | 31, 33         | 427956 | 33       |
| 406100 | 11                                    | 421810 | 43             | 427958 | 33       |
| 406568 | 11                                    | 421814 | 43             | 428254 | 23, 25   |
| 406751 | 21                                    | 421908 | 11             | 428255 | 23, 25   |
| 406756 | 47                                    | 421994 | 23, 43         | 428308 | 17       |
| 406918 | 41                                    | 421995 | 23, 43         | 428313 | 17       |
| 407032 | 9                                     | 422235 | 21             | 428314 | 17       |
| 407661 | 9, 11, 17, 21, 23, 25, 37, 39, 41, 43 | 422236 | 21             | 428533 | 33       |
| 408172 | 23, 25, 43, 47                        | 422276 | 23, 25, 43, 47 | 428534 | 33       |
| 408173 | 23, 25                                | 422281 | 43, 47         | 428550 | 37, 39   |
| 410533 | 35                                    | 422283 | 43, 47         | 428571 | 37, 39   |
| 411119 | 35                                    | 422284 | 43, 47         | 428620 | 29       |
| 411128 | 35                                    | 422285 | 43, 47         | 428621 | 29       |
| 411260 | 9, 11                                 | 422287 | 43, 47         | 428622 | 29       |
| 411300 | 21                                    | 422328 | 41             | 428625 | 29       |
| 411301 | 21                                    | 422338 | 23, 25, 43     | 428721 | 17       |
| 411302 | 21                                    | 422341 | 35             | 428846 | 47       |
| 411303 | 21                                    | 422418 | 17             | 429678 | 33       |
| 411746 | 37, 39                                | 422463 | 17             | 429694 | 29, 31   |
| 412428 | 27                                    | 422464 | 17             | 430213 | 35       |
| 413339 | 31, 33                                | 422467 | 17             | 430396 | 33       |
| 413376 | 33                                    | 422488 | 17             | 430397 | 33       |
| 413499 | 31, 33                                | 422663 | 33             | 430594 | 9, 11    |
| 413650 | 27                                    | 422683 | 43             | 430743 | 9, 11    |
| 414419 | 9, 27                                 | 422684 | 43             | 430880 | 9        |
| 414651 | 47                                    | 422686 | 43             | 430900 | 11       |
| 414981 | 23, 25                                | 422688 | 43             | 430940 | 11       |
| 414982 | 23, 25                                | 422690 | 43             | 430941 | 11       |
| 415103 | 47                                    | 422692 | 43             | 431000 | 9        |
| 415184 | 9, 41                                 | 422694 | 43             | 431294 | 43       |
| 415705 | 41                                    | 423314 | 25, 43         | 432526 | 35       |
| 416150 | 35                                    | 423316 | 9, 27, 35      | 432660 | 39       |
| 416154 | 35                                    | 423335 | 9              | 433004 | 29, 31   |
| 416267 | 21                                    | 423725 | 43             | 433246 | 9, 11    |
| 417037 | 35                                    | 423759 | 43, 47         | 433247 | 9, 11    |
| 417490 | 35                                    | 424916 | 37, 39         | 433250 | 9, 11    |
| 417491 | 35                                    | 424928 | 37, 39         | 433627 | 39       |
| 417492 | 35                                    | 424961 | 37, 39         | 433628 | 39       |
| 417635 | 27                                    | 425106 | 21             | 434137 | 15       |
| 419317 | 43, 47                                | 425107 | 21             | 434138 | 15       |
| 419338 | 43, 47                                | 425968 | 11             | 440418 | 9        |
| 419500 | 43                                    | 426029 | 9              | 440488 | 37, 39   |
| 419501 | 43                                    | 426089 | 11             | 440932 | 33       |
| 419502 | 43                                    | 426141 | 17             | 440933 | 33       |
| 419503 | 43                                    | 426145 | 17             | 440972 | 17       |
| 419506 | 43                                    | 426331 | 11             | 441671 | 11       |
| 419512 | 43                                    | 426600 | 13             | 441673 | 11       |
| 419513 | 43                                    | 427073 | 27             | 441677 | 11       |
| 419523 | 43                                    | 427218 | 9, 45          | 441937 | 17       |

# INDEX

| No.    | Page no. | No.    | Page no. | No.         | Page no.                       |
|--------|----------|--------|----------|-------------|--------------------------------|
| 442340 | 17       | 446497 | 21       | 451564      | 37                             |
| 442364 | 11       | 446498 | 21       | 451733      | 11                             |
| 442903 | 11       | 446499 | 21       | 451734      | 11                             |
| 442917 | 11       | 446517 | 33       | 451762      | 13                             |
| 443039 | 39       | 446585 | 35       | 452277      | 41                             |
| 443041 | 39       | 446594 | 21       | 452278      | 41                             |
| 443052 | 39       | 446695 | 31       | 452352      | 17                             |
| 443063 | 39       | 446824 | 35       | 452680      | 17                             |
| 443071 | 39       | 446825 | 35       | 452692      | 11                             |
| 443095 | 21       | 446889 | 15       | 453357      | 47                             |
| 443161 | 15       | 446900 | 29       | 453358      | 47                             |
| 443230 | 15       | 447239 | 43       | 453446      | 47                             |
| 443297 | 11       | 448396 | 9        | 454756      | 47                             |
| 443354 | 11       | 448473 | 15       | 457636      | 9                              |
| 443437 | 41       | 448474 | 15       | 457637      | 9                              |
| 443558 | 11       | 449094 | 9        | 458123      | 31                             |
| 443905 | 9        | 449384 | 21       | 458591      | 9                              |
| 444657 | 29       | 449387 | 9, 27    | 458603      | 37                             |
| 444687 | 37, 39   | 449457 | 27       | 50000601221 | 43                             |
| 444759 | 11       | 449953 | 25       | 50000602021 | 29, 31                         |
| 444764 | 11       | 449954 | 25       | 50000602022 | 31                             |
| 444765 | 11       | 450182 | 47       | 50000604021 | 33                             |
| 444775 | 37, 39   | 450316 | 13       | 50000606021 | 29                             |
| 444776 | 37, 39   | 450322 | 47       | 50000801221 | 9, 45                          |
| 444786 | 11       | 450323 | 47       | 50000801621 | 43                             |
| 444803 | 41       | 450324 | 47       | 50000802021 | 11                             |
| 444805 | 41       | 450325 | 47       | 50000811021 | 21                             |
| 444806 | 41       | 450327 | 47       | 50001002521 | 11, 43                         |
| 444807 | 41       | 450329 | 47       | 50001006021 | 11                             |
| 444809 | 41       | 450332 | 47       | 50001201621 | 33                             |
| 444810 | 41       | 450334 | 47       | 50001203021 | 47                             |
| 444815 | 41       | 450338 | 47       | 50001208021 | 29                             |
| 444984 | 11       | 450339 | 47       | 50001214021 | 11                             |
| 444988 | 9        | 450340 | 47       | 50001604511 | 37, 39                         |
| 444990 | 9        | 450348 | 47       | 50001605011 | 11, 17                         |
| 444991 | 9        | 450349 | 47       | 50001605021 | 13                             |
| 444993 | 9        | 450350 | 47       | 50001607021 | 11, 37, 39, 41                 |
| 445074 | 11       | 450351 | 47       | 50001608021 | 41                             |
| 445465 | 17       | 450353 | 47       | 50001610021 | 11                             |
| 445466 | 17       | 450432 | 13       | 50001613021 | 9                              |
| 445683 | 17       | 450596 | 31       | 50002015021 | 41                             |
| 445684 | 17       | 450904 | 13       | 50002016021 | 11, 25                         |
| 445685 | 17       | 450911 | 37       | 50002020021 | 11, 25                         |
| 445710 | 17       | 450912 | 37       | 50002422511 | 9                              |
| 445711 | 17       | 450928 | 13       | 50011004021 | 43                             |
| 445722 | 17       | 450999 | 43, 45   | 50020601221 | 43, 47                         |
| 445723 | 17       | 451001 | 43, 45   | 50030402021 | 27                             |
| 445864 | 41       | 451224 | 37       | 50030604521 | 47                             |
| 446180 | 21, 47   | 451226 | 37       | 50061203021 | 13                             |
| 446311 | 9        | 451228 | 37       | 50061210021 | 13                             |
| 446457 | 11       | 451230 | 37       | 50061211021 | 15                             |
| 446458 | 11       | 451232 | 37       | 50061605021 | 13, 15                         |
| 446461 | 11       | 451234 | 37       | 50061606011 | 13                             |
| 446463 | 11       | 451236 | 37       | 50130601671 | 31                             |
| 446467 | 15       | 451259 | 13       | 50130602071 | 29, 33                         |
| 446470 | 39       | 451260 | 13       | 50150501621 | 33                             |
| 446473 | 39       | 451261 | 13       | 51000600021 | 31                             |
| 446476 | 41       | 451306 | 31       | 51010500021 | 31                             |
| 446478 | 41       | 451308 | 31       | 51010600021 | 29, 31, 33, 43                 |
| 446481 | 41       | 451310 | 31       | 51010800021 | 9, 21, 31, 43                  |
| 446482 | 41       | 451311 | 31       | 51011000021 | 43                             |
| 446488 | 21       | 451312 | 31       | 51011200021 | 11, 13, 15, 29, 37, 39, 41, 47 |
| 446489 | 21       | 451313 | 31       | 51011400021 | 41                             |
| 446490 | 21       | 451314 | 31       | 51011600021 | 9                              |
| 446491 | 21       | 451316 | 31       | 51021600021 | 11, 13, 15, 17, 37, 39, 41     |
| 446492 | 21       | 451317 | 31       | 51022000021 | 11, 25, 41                     |
| 446493 | 21       | 451318 | 31       | 51022400021 | 9, 11, 41                      |
| 446494 | 21       | 451319 | 31       | 51023000011 | 9, 11, 23, 25, 39, 43          |
| 446495 | 21       | 451345 | 13       | 51032000021 | 21                             |
| 446496 | 21       | 451404 | 13       | 51050800021 | 9, 43                          |

| No.         | Page no.              | No. | Page no. | No. | Page no. |
|-------------|-----------------------|-----|----------|-----|----------|
| 52000500041 | 31                    |     |          |     |          |
| 52000600041 | 29                    |     |          |     |          |
| 52000800041 | 9                     |     |          |     |          |
| 52001000041 | 11                    |     |          |     |          |
| 52001200041 | 9                     |     |          |     |          |
| 52001600041 | 11, 13, 15, 37, 39    |     |          |     |          |
| 52002000041 | 11                    |     |          |     |          |
| 52002400041 | 9, 41                 |     |          |     |          |
| 52003000041 | 9, 11, 23, 25, 37, 39 |     |          |     |          |
| 52030600092 | 31                    |     |          |     |          |
| 52040500091 | 33                    |     |          |     |          |
| 52052100041 | 11                    |     |          |     |          |
| 52061600091 | 11, 37, 39, 41        |     |          |     |          |
| 52062400094 | 17                    |     |          |     |          |
| 52072040291 | 11                    |     |          |     |          |
| 52081600041 | 17                    |     |          |     |          |
| 52111600041 | 13                    |     |          |     |          |
| 52141600041 | 9                     |     |          |     |          |
| 53000504091 | 11                    |     |          |     |          |
| 53000603091 | 41                    |     |          |     |          |
| 53000603590 | 17                    |     |          |     |          |
| 53000604091 | 11                    |     |          |     |          |
| 53010505590 | 23, 25                |     |          |     |          |
| 53010603590 | 17                    |     |          |     |          |
| 53010608091 | 11                    |     |          |     |          |
| 53011005091 | 37                    |     |          |     |          |
| 53030402570 | 9                     |     |          |     |          |
| 54021500091 | 9, 11                 |     |          |     |          |
| 54021900091 | 37, 39                |     |          |     |          |
| 609165      | 43                    |     |          |     |          |



**590 21 VÄDERSTAD**

|                     |             |
|---------------------|-------------|
| Telefon             | 0142-820 00 |
| Reservdelar         | 0142-820 20 |
| Telefax             | 0142-820 10 |
| Telefax reservdelar | 0142-820 21 |

**S-590 21 VÄDERSTAD**

|                     |                |
|---------------------|----------------|
| SWEDEN              |                |
| Telephone           | +46 142 820 00 |
| Spare Parts         | +46 142 820 20 |
| Telefax             | +46 142 820 10 |
| Telefax Spare Parts | +46 142 820 21 |